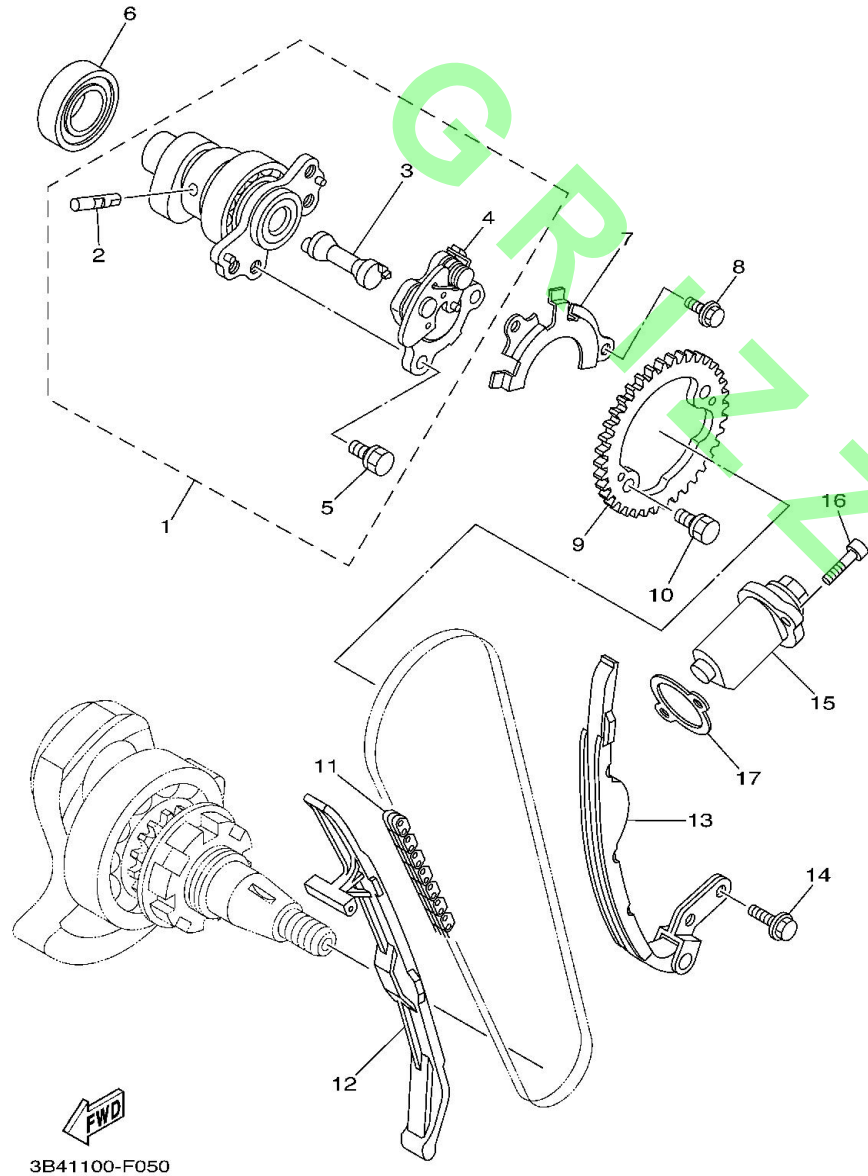
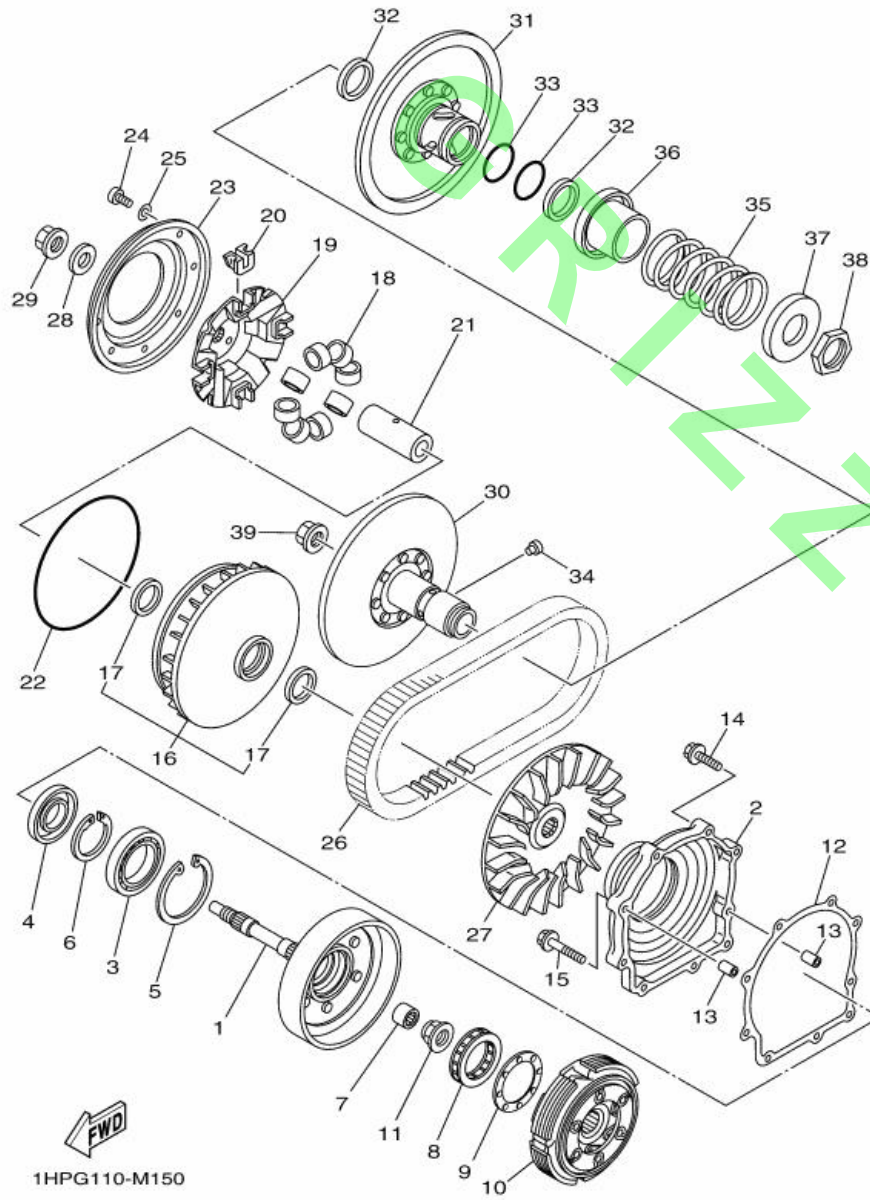


Fig. 05 CAMSHAFT & CHAIN



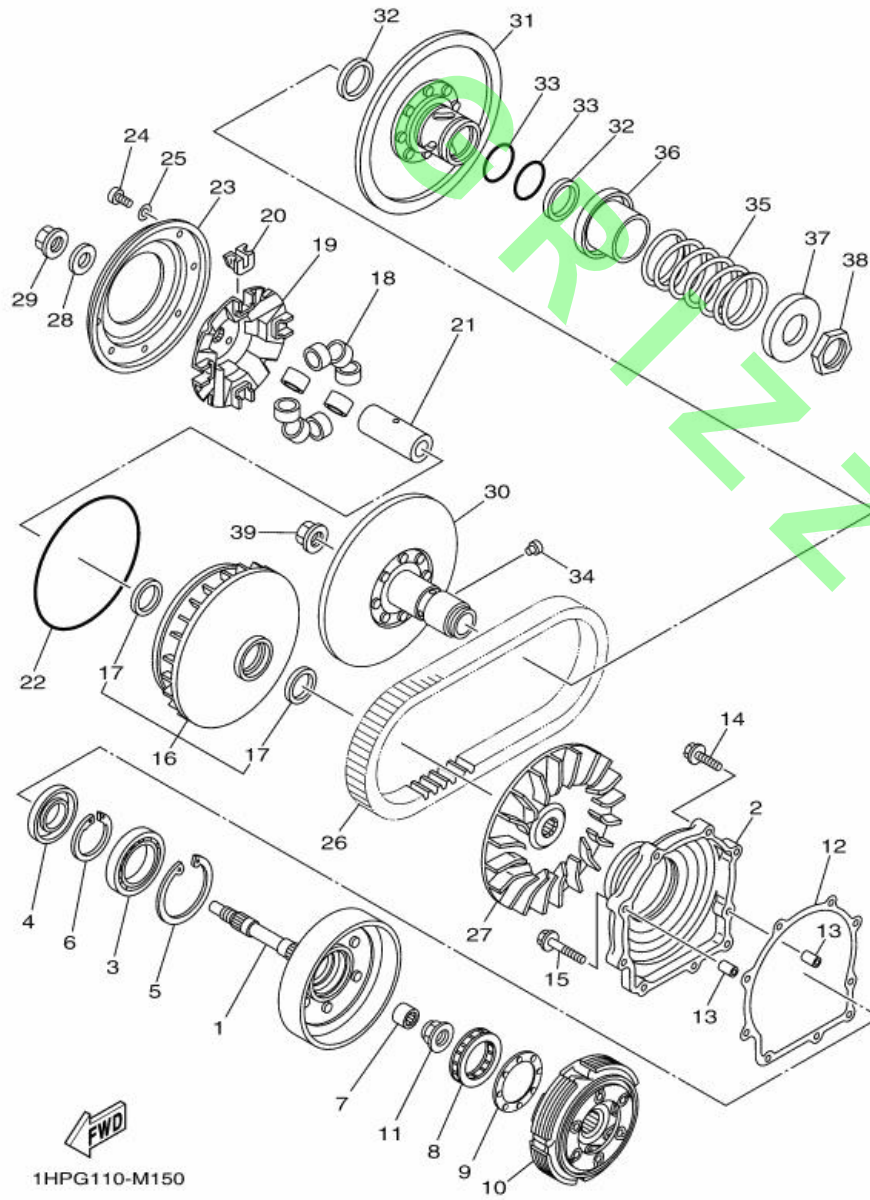
Ref. No.	Part No.	Description		Remarks
	1 2BG-12170-00	CAMSHAFT ASSY 1	1	
	2 5VK-12284-00	. PIN, DECOMPRESSION LEVER	1	
	3 1S3-12290-00	. LEVER, DECOMPRESSION SPRING	1	
	4 1S3-12280-01	. DECOMPRESSION ASSY	1	
	5 90105-07006	. BOLT, FLANGE	2	
	6 93306-07209	BEARING	1	
	7 5VK-1111F-00	PLATE	1	
	8 90105-06078	BOLT, FLANGE	2	
	9 1S3-12176-00	SPROCKET, CAM CHAIN	1	
	10 90105-07006	BOLT, FLANGE	2	
	11 94591-57126	CHAIN (98XRH2010-126M)	1	
	12 3B4-12231-01	GUIDE, STOPPER 1	1	
	13 3B4-12241-00	GUIDE, STOPPER 2	1	
	14 90105-06082	BOLT, FLANGE	2	
	15 3TB-12210-00	TENSIONER ASSY, CAM CHAIN	1	
	16 91312-06025	BOLT	2	
	17 4DW-12213-00	GASKET, TENSIONER CASE	1	

Fig. 15 CLUTCH



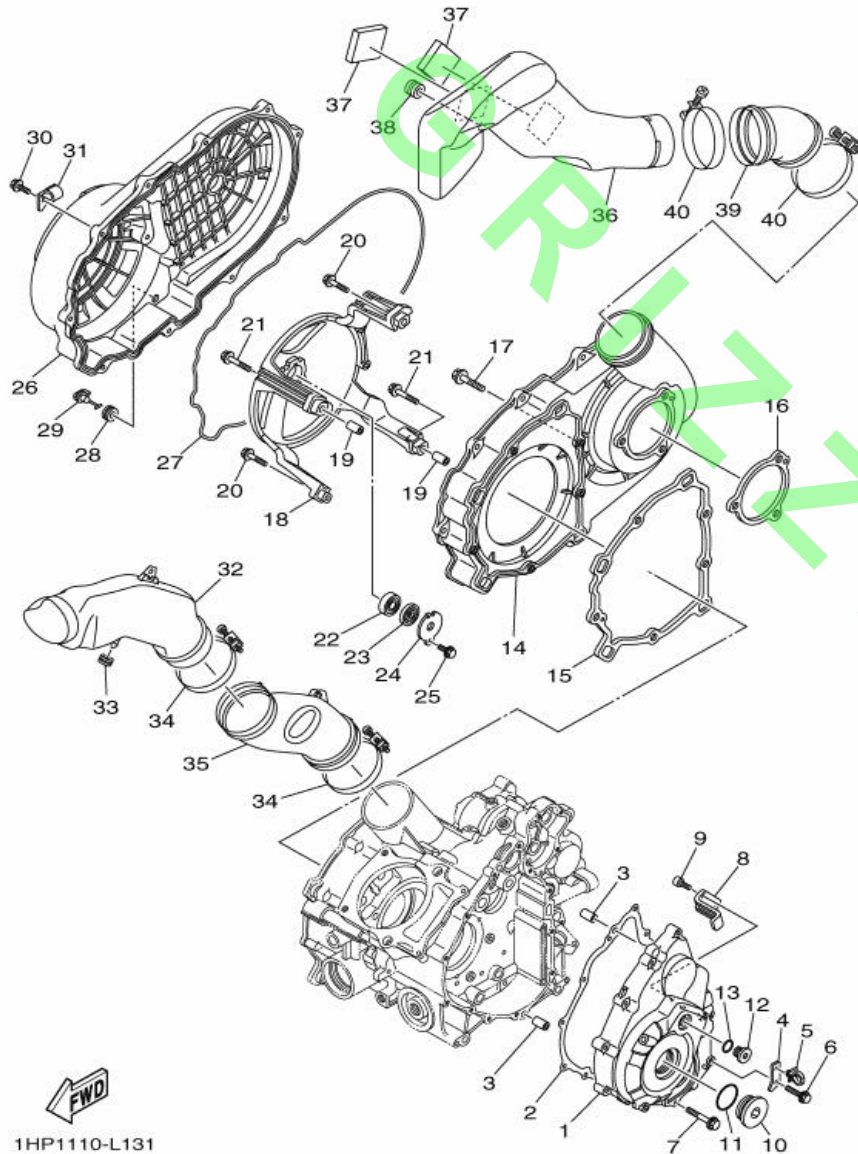
Ref. No.	Part No.	Description		Remarks
1	1HP-16611-00	CLUTCH HOUSING COMP.	1	
2	3B4-15163-00	HOUSING, BEARING 1	1	
3	93316-01003	BEARING	1	
4	93102-35004	OIL SEAL	1	
5	99009-80500	CIRCLIP	1	
6	93410-46079	CIRCLIP	1	
7	93315-21813	BEARING	1	
8	4SH-16664-00	BEARING, ONE WAY	1	
9	1HP-16717-00	RING, SEAL	1	
10	3B4-16620-00	CLUTCH CARRIER ASSY	1	
11	90179-22021	NUT	1	
12	3B4-15463-00	GASKET, COVER PINION 2	1	
13	99530-10116	PIN, DOWEL	2	
14	95022-06030	BOLT, FLANGE	7	
15	95022-06040	BOLT, FLANGE	2	
16	3B4-17606-00	PRIMARY SLIDING SHEAVE COMP.	1	
17	93101-35001	. OIL SEAL	2	
18	3B4-17632-01	WEIGHT	8	
19	3B4-17623-02	CAM	1	
20	3B4-17653-00	SLIDER	4	
21	3B4-17645-00	COLLAR	1	
22	93211-59001	O-RING	1	
23	4WV-17639-10	STOPPER	1	
24	90157-04006	SCREW, PAN HEAD	8	
25	90201-047R9	WASHER, PLATE	8	(M4 WASHER)
26	3B4-17641-00	V-BELT	1	
27	3B4-17611-00	SHEAVE, PRIMARY FIXED	1	

Fig. 15 CLUTCH



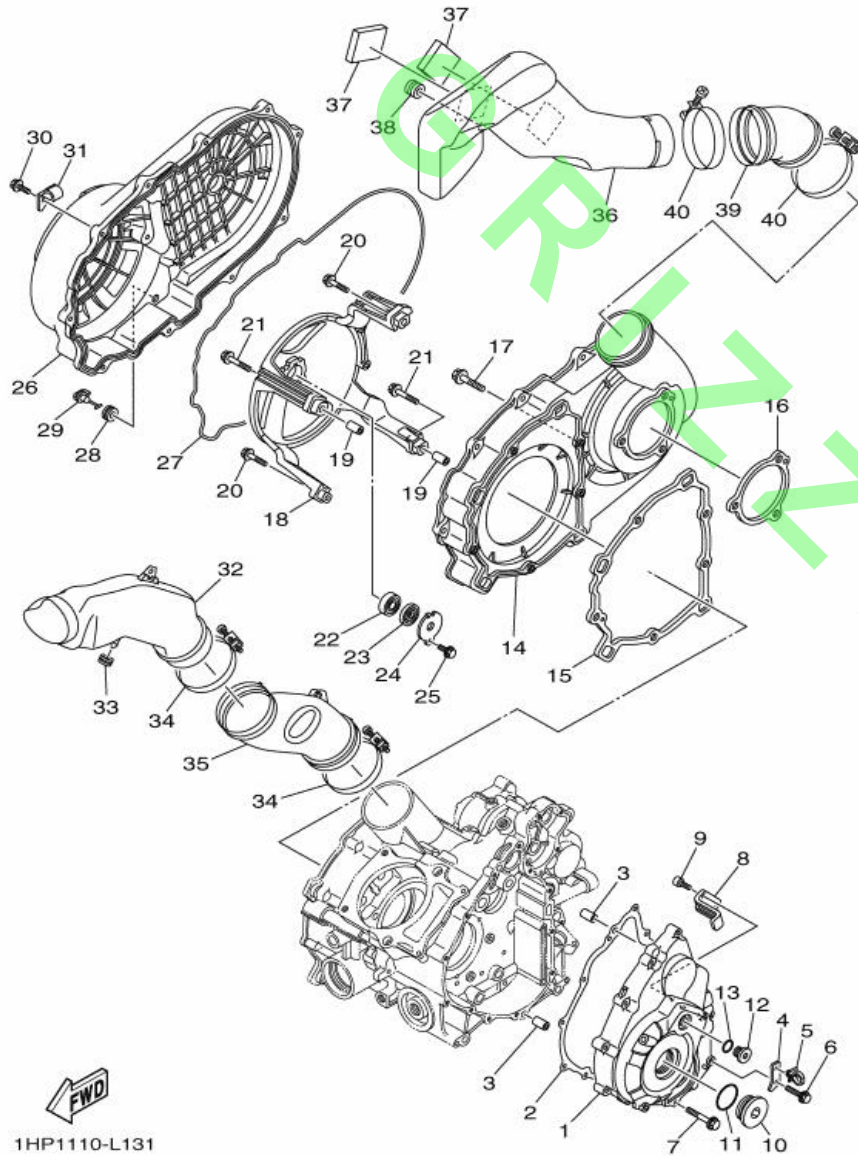
Ref. No.	Part No.	Description		Remarks
	28 90201-190T7	WASHER, PLATE	1	
	29 90179-16005	NUT	1	
	30 3B4-17660-10	SECONDARY FIXED SHEAVE COMP.	1	
	31 3B4-17670-10	SECONDARY SLIDING SHEAVE	1	
	32 93104-41119	OIL SEAL	2	
	33 93210-44545	O-RING	2	
	34 4CW-17664-00	PIN, GUIDE	4	
	35 90501-650A0	SPRING, COMPRESSION	1	
	36 4WV-17684-00	SEAT, SECONDARY SPRING	1	
	37 4WV-17644-00	SEAT, SPRING	1	
	38 90170-36279	NUT	1	
	39 90179-16005	NUT	1	

Fig. 13 CRANKCASE COVER 1



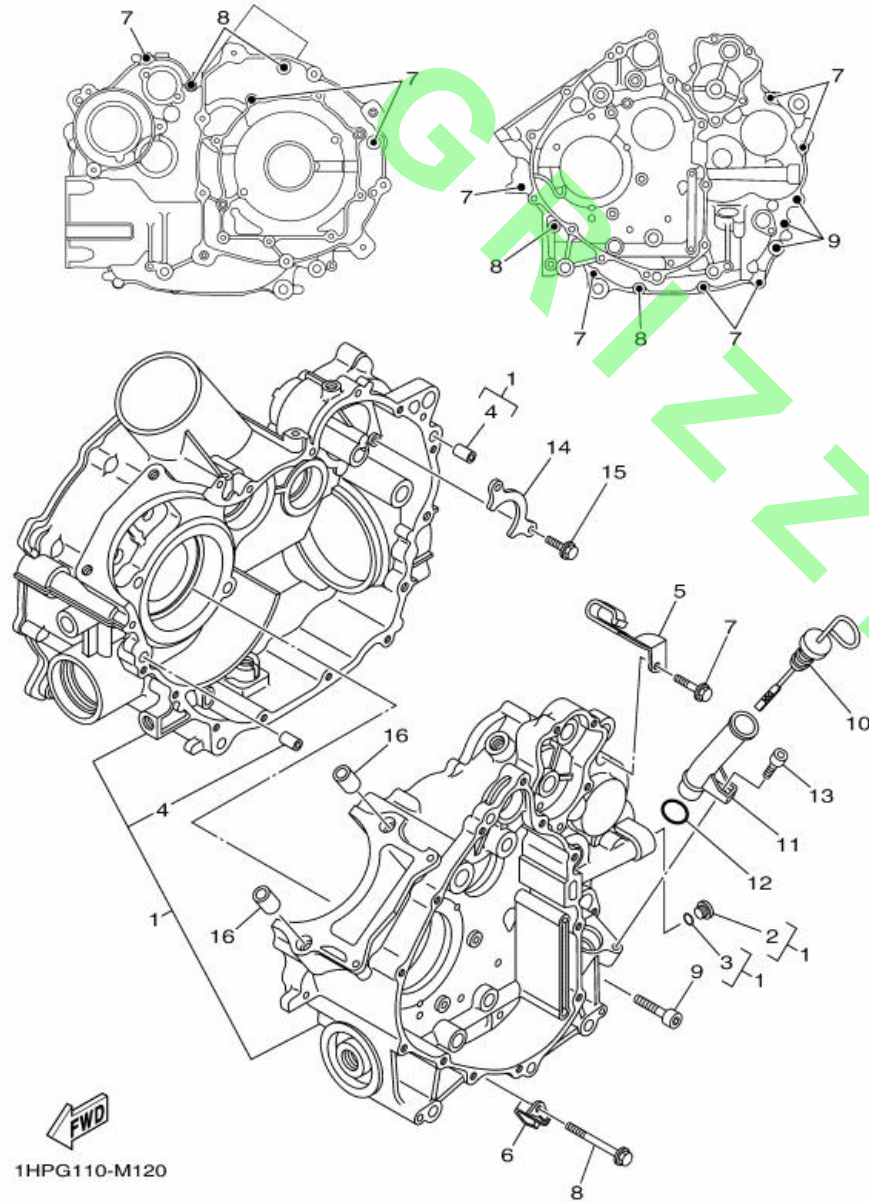
Ref. No.	Part No.	Description		Remarks
1	3B4-15411-10	COVER, CRANKCASE 1	1	
2	3B4-15451-00	GASKET, CRANKCASE COVER 1	1	
3	99530-10116	PIN, DOWEL	2	
4	1HP-15191-00	PLATE	1	
5	90464-12001	CLAMP	1	
<hr/>				
6	95022-06030	BOLT, FLANGE	11	
7	95022-06050	BOLT, FLANGE	1	
8	3B4-15113-00	PLATE	1	
9	91312-05014	BOLT	2	
10	90340-36004	PLUG, STRAIGHT SCREW	1	
<hr/>				
11	93210-357A3	O-RING	1	
12	90340-14016	PLUG, STRAIGHT SCREW	1	
13	93210-14369	O-RING	1	
14	3B4-15421-00	COVER, CRANKCASE 2	1	
15	3B4-15453-00	GASKET	1	
<hr/>				
16	3B4-15315-00	SEAL, CRANKCASE	1	
17	95822-06030	BOLT, FLANGE	8	
18	3B4-15442-00	HOUSING, BEARING	1	
19	99530-10116	PIN, DOWEL	2	
20	95822-06030	BOLT, FLANGE	2	
<hr/>				
21	95822-06040	BOLT, FLANGE	2	
22	93306-20103	BEARING	1	
23	93101-12168	OIL SEAL	1	
24	4WV-15381-00	PLATE, BEARING COVER	1	
25	95022-06016	BOLT, FLANGE	1	
<hr/>				
26	3B4-15431-00	COVER, CRANKCASE 3	1	
27	3B4-15379-00	SEAL, CRANKCASE	1	

Fig. 13 CRANKCASE COVER 1



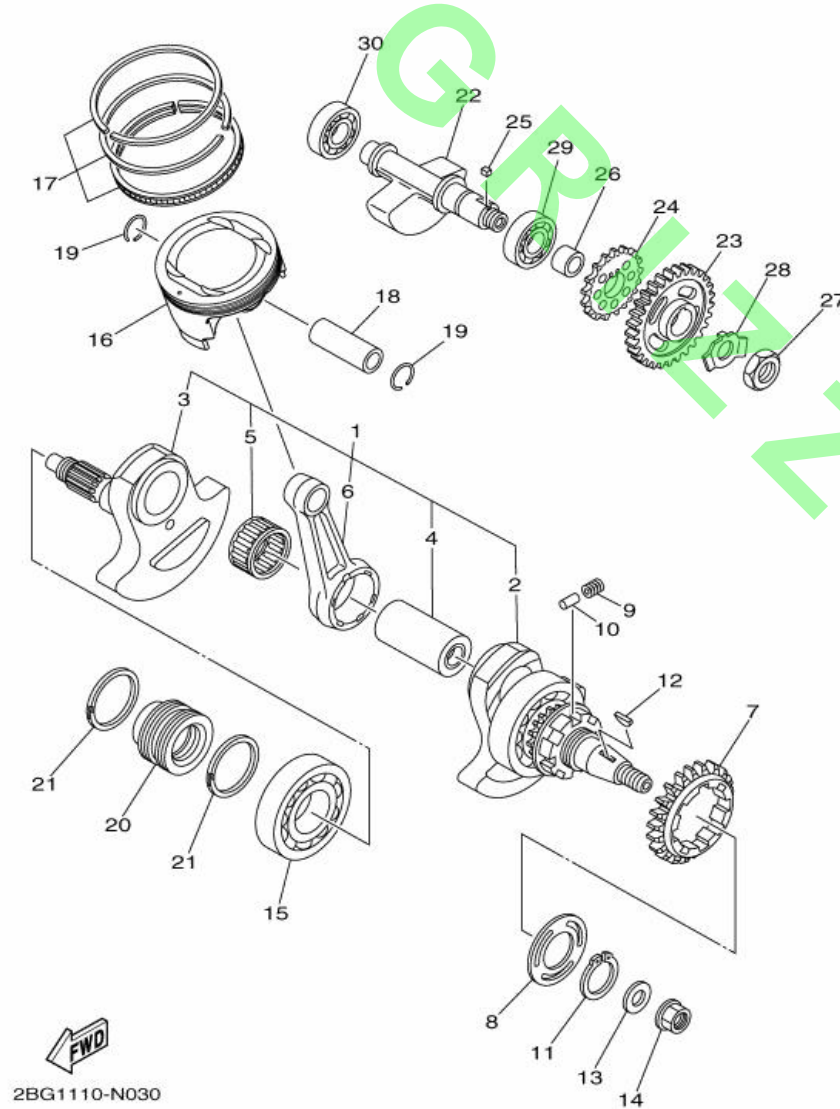
Ref. No.	Part No.	Description		Remarks
	28 90480-13018	GROMMET	1	
	29 5KM-15351-00	PLUG, DRAIN	1	
	30 95822-06020	BOLT, FLANGE	12	
	31 90462-08055	CLAMP	1	
	32 1HP-E5471-00	DUCT, AIR	1	
	33 90480-13567	GROMMET	1	
	34 90460-85135	CLAMP, HOSE	2	
	35 1HP-E5472-00	SEAL, AIR DUCT	1	
	36 1HP-E5473-00	DUCT, AIR	1	
	37 1S3-82123-00	SEAT, BATTERY	2	
	38 90480-13398	GROMMET	1	
	39 1HP-E5474-00	SEAL, AIR DUCT	1	
	40 90460-85135	CLAMP, HOSE	2	

Fig. 12 CRANKCASE



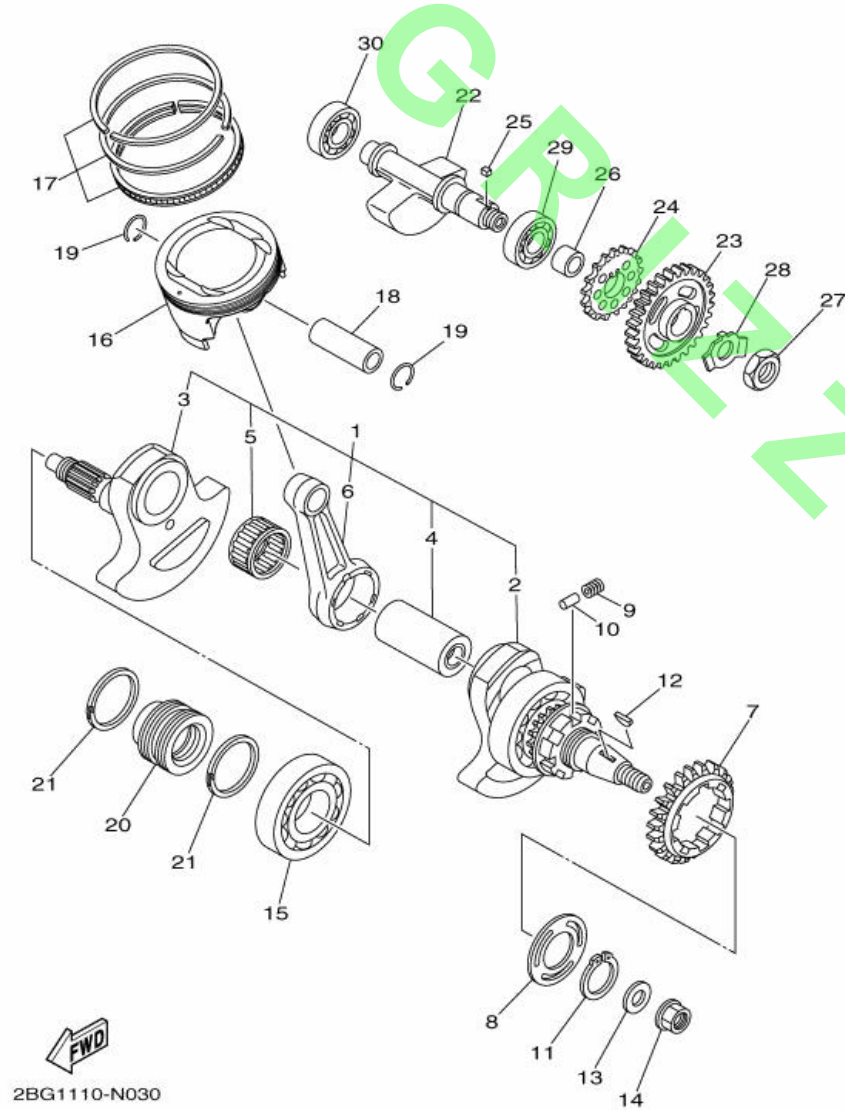
Ref. No.	Part No.	Description		Remarks
1	3B4-15100-29	CRANKCASE ASSY	1	
2	36Y-15189-00	. PLUG	1	
3	93210-16325	. O-RING	1	
4	99530-10116	. PIN, DOWEL	2	
5	90462-16003	CLAMP	1	
6	90462-08049	CLAMP	1	
7	95022-06030	BOLT, FLANGE	9	
8	95022-06060	BOLT, FLANGE	4	
9	91312-08040	BOLT	3	
10	3B4-15362-01	PLUG, OIL LEVEL	1	
11	3B4-15112-02	PIPE, OIL	1	
12	93210-21631	O-RING	1	
13	91312-06012	BOLT	1	
14	3B4-15388-00	PLATE, BEARING COVER	1	
15	90105-06082	BOLT, FLANGE	2	
16	99530-14016	PIN, DOWEL	2	

Fig. 03 CRANKSHAFT & PISTON



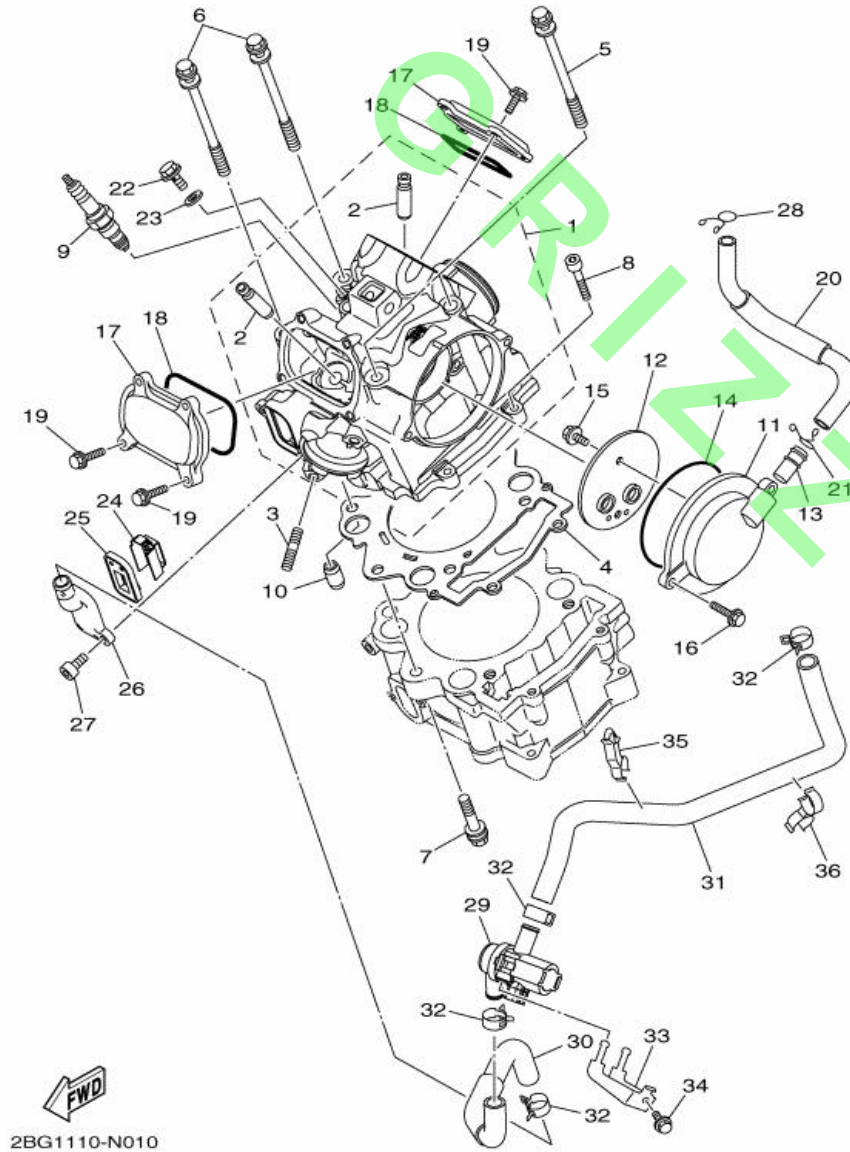
Ref. No.	Part No.	Description		Remarks
1	2BG-11400-00	CRANKSHAFT ASSY	1	
2	3B4-11401-09	. CRANK SUB ASSY 1	1	
3	3B4-11402-09	. CRANK SUB ASSY 2	1	
4	5VK-11681-01	. PIN, CRANK 1	1	
5	93310-84037	. BEARING	1	
<hr/>				
6	2BG-11651-00	. ROD, CONNECTING	1	
7	1HP-11536-00	GEAR, DRIVE (44T)	1	
8	5KM-11565-00	WASHER, BEARING COVER	1	
9	90501-220A1	SPRING, COMPRESSION	8	
10	93606-09002	PIN, DOWEL	4	
<hr/>				
11	99009-35400	CIRCLIP	1	
12	90280-05001	KEY, WOODRUFF	1	
13	90201-16013	WASHER, PLATE	1	
14	90179-16004	NUT	1	
15	93306-30810	BEARING	1	
<hr/>				
16	2BG-11631-00	PISTON (STD)	1	
17	1S3-11603-10	PISTON RING SET (STD)	1	
18	5VK-11633-00	PIN, PISTON	1	
19	93450-24154	CIRCLIP	2	
20	3B4-16181-00	SPACER 1	1	
<hr/>				
21	2BG-11447-00	SEAL, CRANK	2	
22	2BG-11454-00	WEIGHT 1	1	
23	1HP-11531-10	GEAR, BALANCE WEIGHT	1	
24	1HP-13354-00	SPROCKET, DRIVE	1	
25	90282-05013	KEY, STRAIGHT	1	
<hr/>				
26	90387-24001	COLLAR	1	
27	90170-18003	NUT	1	

Fig. 03 CRANKSHAFT & PISTON



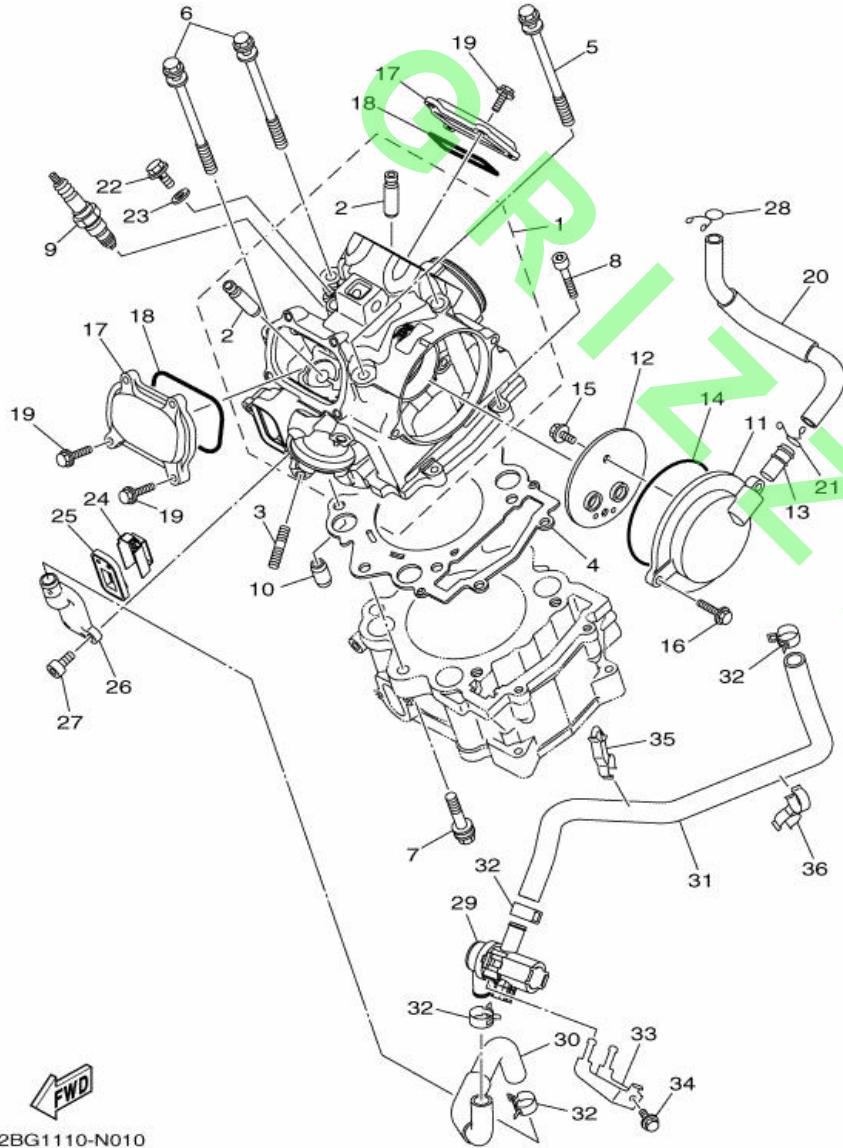
Ref. No.	Part No.	Description		Remarks
	28 90215-18001	WASHER, LOCK	1	
	29 93306-30534	BEARING	1	
	30 93306-30438	BEARING	1	

Fig. 01 CYLINDER HEAD



Ref. No.	Part No.	Description		Remarks
1	2BG-11102-00	CYLINDER HEAD ASSY	1	
2	4G0-11133-11	. GUIDE, VALVE 1	4	
3	95612-08625	BOLT, STUD	2	
4	3B4-11181-00	GASKET, CYLINDER HEAD 1	1	
5	90109-09003	BOLT	2	
6	90109-09002	BOLT	2	
7	90109-09005	BOLT	2	
8	91312-06030	BOLT	2	
9	94701-00420	PLUG, SPARK (NGK CPR7EA)	1	
10	93612-16254	PIN, DOWEL	2	
11	3B4-11185-00	COVER, CYLINDER HEAD SIDE 3	1	
12	3B4-11165-10	PLATE, BREATHER	1	
13	371-11167-01	PIPE, BREATHER 2	1	
14	93210-96601	O-RING	1	
15	95022-06012	BOLT, FLANGE	2	
16	95022-06020	BOLT, FLANGE	2	
17	1S3-11186-00	COVER, CYLINDER HEAD SIDE 2	2	
18	93210-78544	O-RING	2	
19	95022-06020	BOLT, FLANGE	8	
20	3B4-11166-01	PIPE, BREATHER 1	1	
21	90467-140A4	CLIP	1	
22	90401-08004	BOLT, UNION	1	
23	90430-08119	GASKET	1	
24	2BG-1482K-00	PLATE	1	
25	5JW-14890-00	REED VALVE ASSY	1	
26	5JW-14889-00	CAP, CASE	1	
27	90110-06175	BOLT, HEXAGON SOCKET HEAD	2	

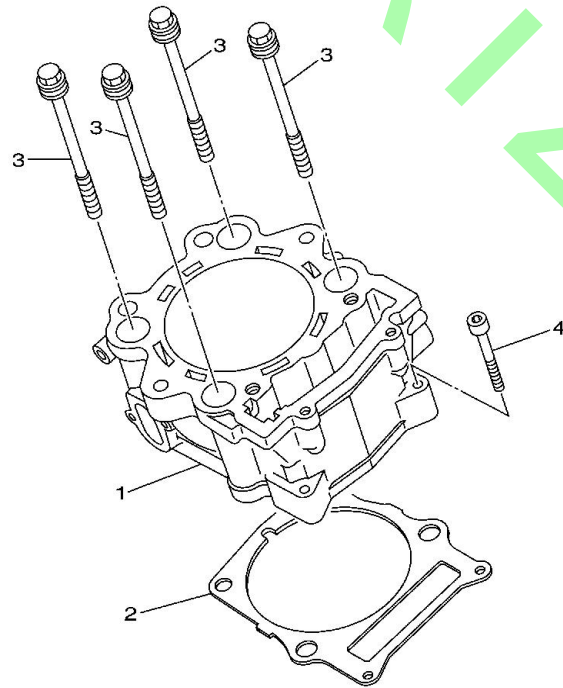
Fig. 01 CYLINDER HEAD



Ref. No.	Part No.	Description		Remarks
	28 90467-150A2	CLIP	1	
	29 2BG-14840-00	AIR CUT VALVE ASSY	1	
	30 2BG-E4882-00	HOSE, BEND 2	1	
	31 2BG-E4883-00	HOSE, BEND 3	1	
	32 90467-17089	CLIP	4	
	33 2BG-F117A-00	STAY	1	
	34 95812-06012	BOLT, FLANGE	1	
	35 90464-17006	CLAMP	1	
	36 90464-18015	CLAMP	1	

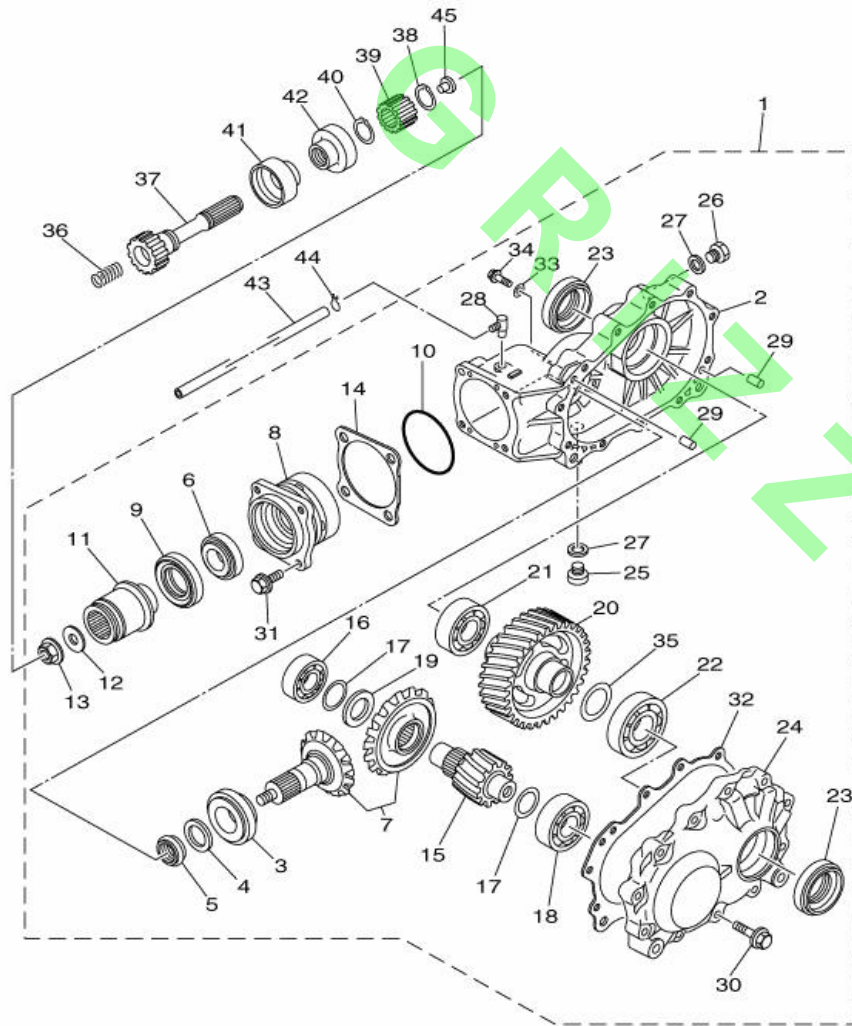
Fig. 02 CYLINDER

Ref. No.	Part No.	Description		Remarks
1	3B4-11311-10	CYLINDER 1	1	
2	1S3-11351-00	GASKET, CYLINDER	1	
3	90119-10023	BOLT, WITH WASHER	4	
4	91312-06040	BOLT	2	



3B41100-F020

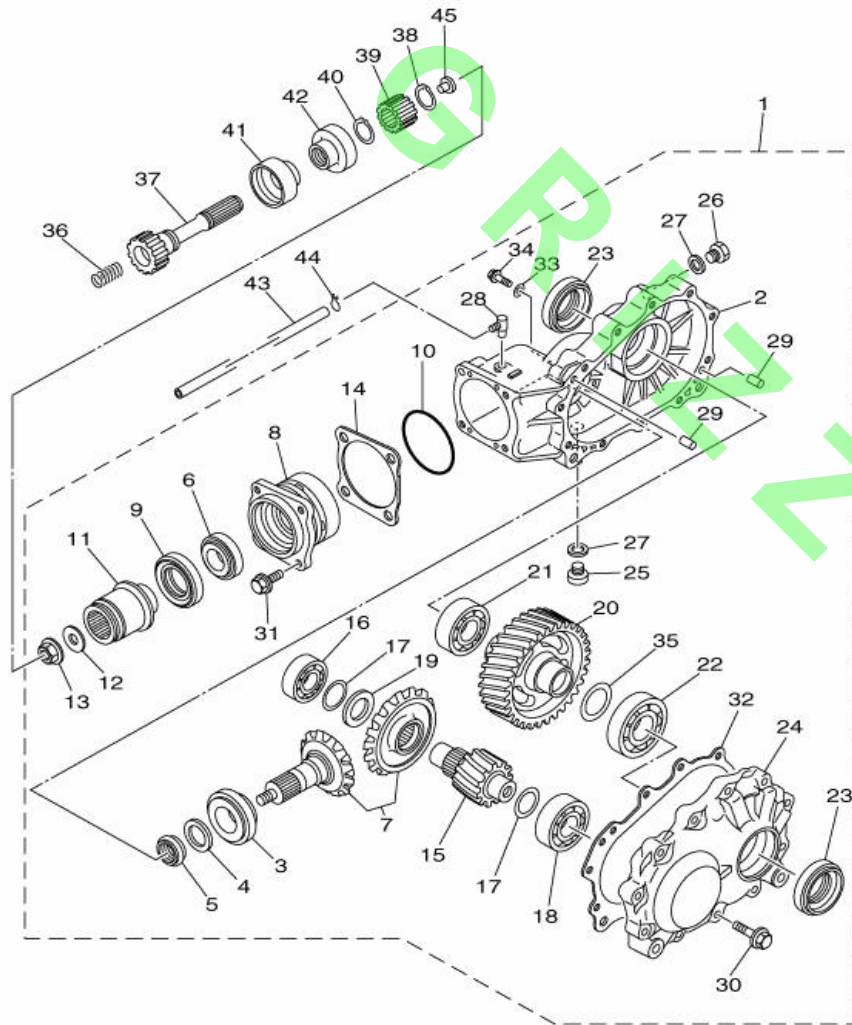
Fig. 26 DRIVE SHAFT



1HP1110-L260

Ref. No.	Part No.	Description		Remarks
1	1HP-46101-00	REAR AXLE GEAR CASE ASSY	1	
2	3B4-46151-00	. HOUSING, DRIVE SHAFT	1	
3	93332-00046	. BEARING	1	
4	90201-25634	. WASHER, PLATE	1	
5	3B4-46129-00	. SPACER, EXPANSION	1	
6	93332-00053	. BEARING	1	
7	3B4-461A0-00	. RING GEAR SET	1	
8	3B4-46144-00	. HOUSING, PINION BEARING	1	
9	93102-35380	. OIL SEAL	1	
10	93210-626A7	. O-RING	1	
11	3B4-46126-10	. COUPLING	1	
12	90201-12029	. WASHER, PLATE	1	
13	90179-12005	. NUT	1	
14	2HR-46127-00-25	. SHIM, DRIVE PISTON (0.25T)	1	UR
	2HR-46127-00-30	. SHIM, DRIVE PISTON (0.30T)	1	UR
	2HR-46127-00-35	. SHIM, DRIVE PISTON (0.35T)	1	UR
	2HR-46127-00-40	. SHIM, DRIVE PISTON (0.40T)	1	UR
	2HR-46127-00-45	. SHIM, DRIVE PISTON (0.45T)	1	UR
	2HR-46127-00-50	. SHIM, DRIVE PISTON (0.50T)	1	UR
15	3B4-46316-00	. GEAR, PINION 1	1	
16	93306-205U0	. BEARING	1	
17	3B4-46119-00	. SHIM, THRUST (0.25T)	2	UR
	3B4-46119-10	. SHIM, THRUST (0.30T)	2	UR
	3B4-46119-20	. SHIM, THRUST (0.35T)	2	UR
	3B4-46119-30	. SHIM, THRUST (0.40T)	2	UR
	3B4-46119-40	. SHIM, THRUST (0.45T)	2	UR
	3B4-46119-50	. SHIM, THRUST (0.50T)	2	UR

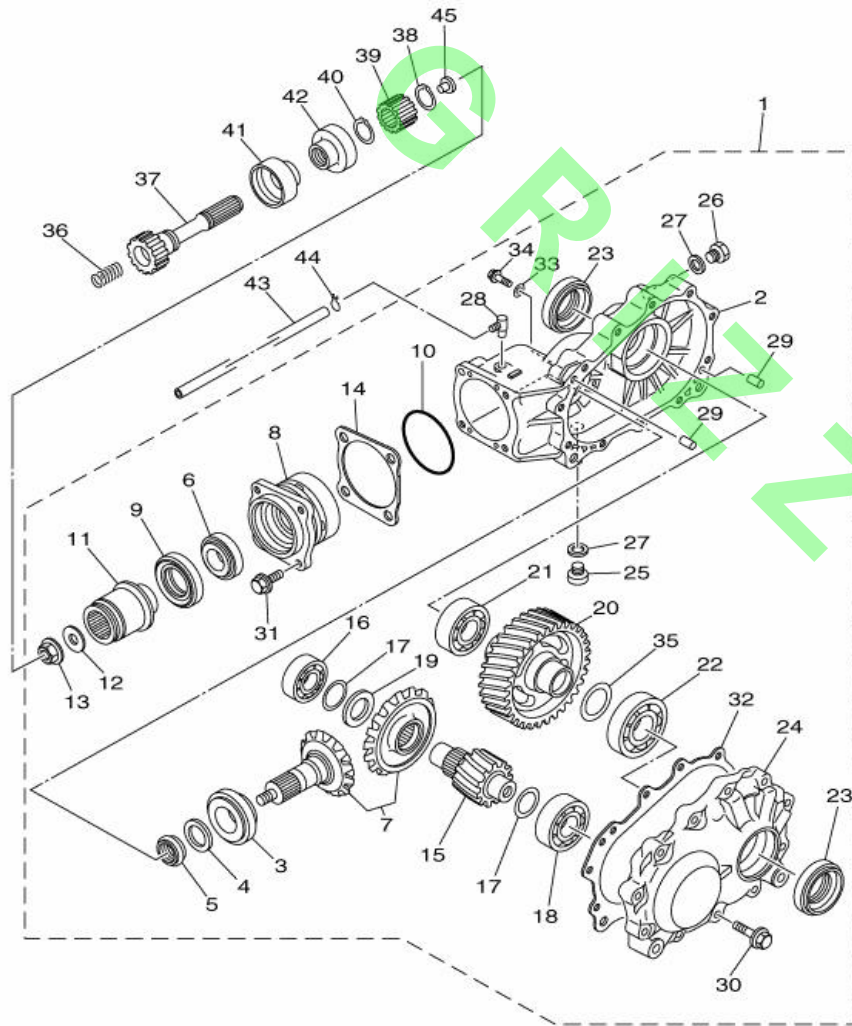
Fig. 26 DRIVE SHAFT



1HP1110-L260

Ref. No.	Part No.	Description	Quantity	Remarks
18	93306-30534	. BEARING	1	
19	3B4-4621F-00	. SHIM,THRUST (4.5T)	1	UR
	3B4-4621F-10	. SHIM,THRUST (4.8T)	1	UR
	3B4-4621F-20	. SHIM,THRUST (5.1T)	1	UR
	3B4-4621F-30	. SHIM,THRUST (5.4T)	1	UR
20	3B4-46326-01	. GEAR, WHEEL 1	1	
21	93306-00704	. BEARING	1	
22	93306-207U0	. BEARING	1	
23	93102-35380	. OIL SEAL	2	
24	3B4-46152-00	. HOUSING, BEARING	1	
25	90340-14002	. PLUG, STRAIGHT SCREW	1	
26	90340-14029	. PLUG, STRAIGHT SCREW	1	
27	214-11198-01	. GASKET	2	
28	5UG-15371-00	. BREATHER	1	
29	99530-10014	. PIN, DOWEL	2	
30	95822-08035	. BOLT, FLANGE	11	
31	95822-08025	. BOLT, FLANGE	4	
32	3B4-4631A-01	. GSKT., CASE	1	
33	90201-08087	. WASHER, PLATE	1	
34	95022-08012	. BOLT, FLANGE	1	
35	3B4-46344-00	. SHIM (0.25T)	1	UR
	3B4-46344-10	. SHIM (0.30T)	1	UR
	3B4-46344-20	. SHIM (0.35T)	1	UR
	3B4-46344-30	. SHIM (0.40T)	1	UR
	3B4-46344-40	. SHIM (0.45T)	1	UR
	3B4-46344-50	. SHIM (0.50T)	1	UR
36	90501-20361	SPRING, COMPRESSION	1	

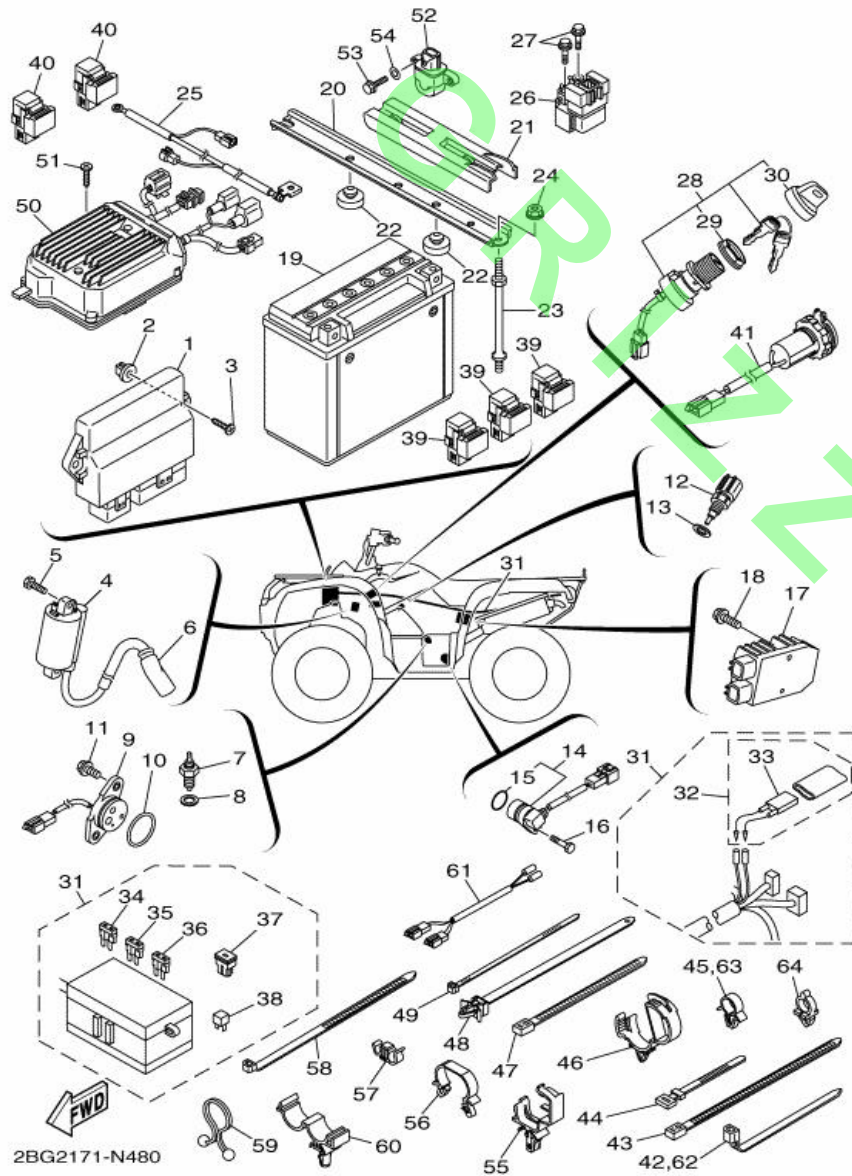
Fig. 26 DRIVE SHAFT



1HP1110-L260

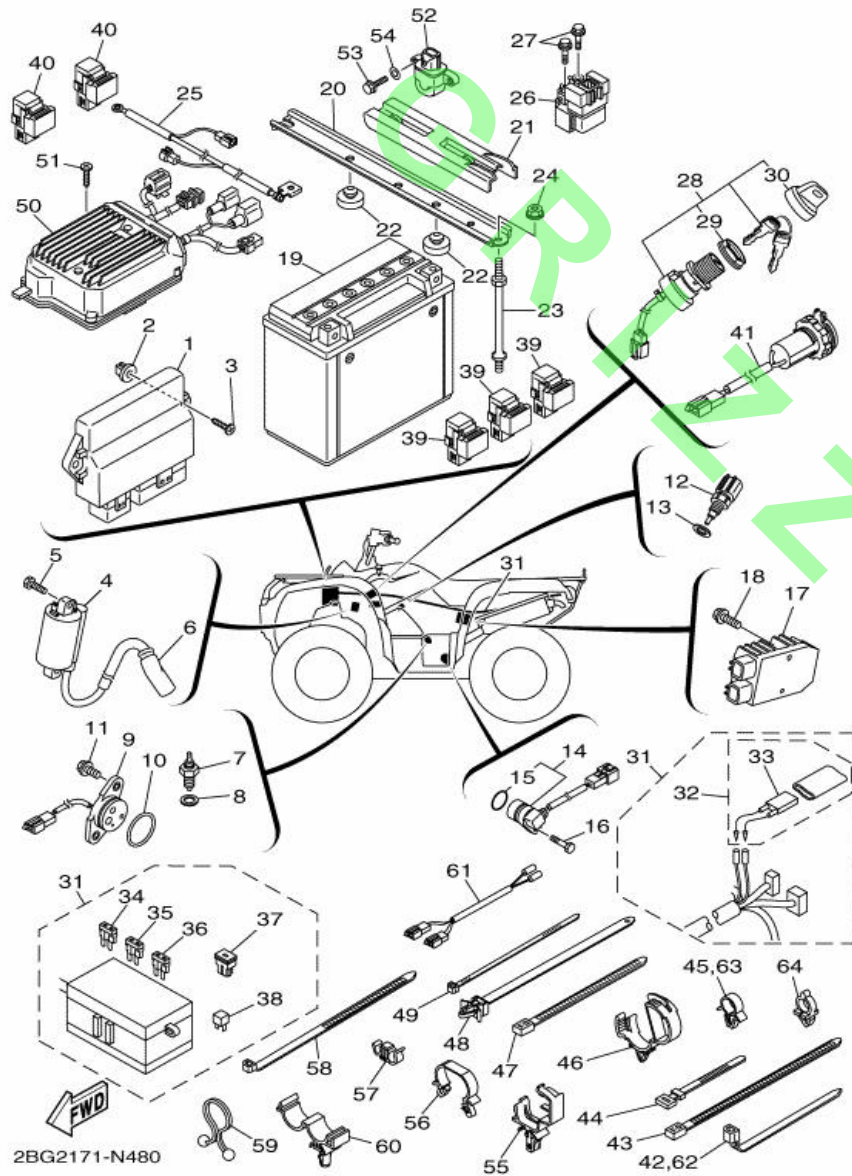
Ref. No.	Part No.	Description		Remarks
	37	1HP-G6172-00	SHAFT, DRIVE	1
	38	99009-19400	CIRCLIP	1
	39	5KM-46126-00	COUPLING	1
	40	93410-22039	CIRCLIP	1
	41	5KM-46137-00	SEAL 2	1
	42	5KM-46136-00	SEAL 1	1
	43	90445-074F6	HOSE (L1300)	1
	44	90467-07029	CLIP	1
	45	5KM-46559-00	DAMPER	1

Fig. 48 ELECTRICAL 1



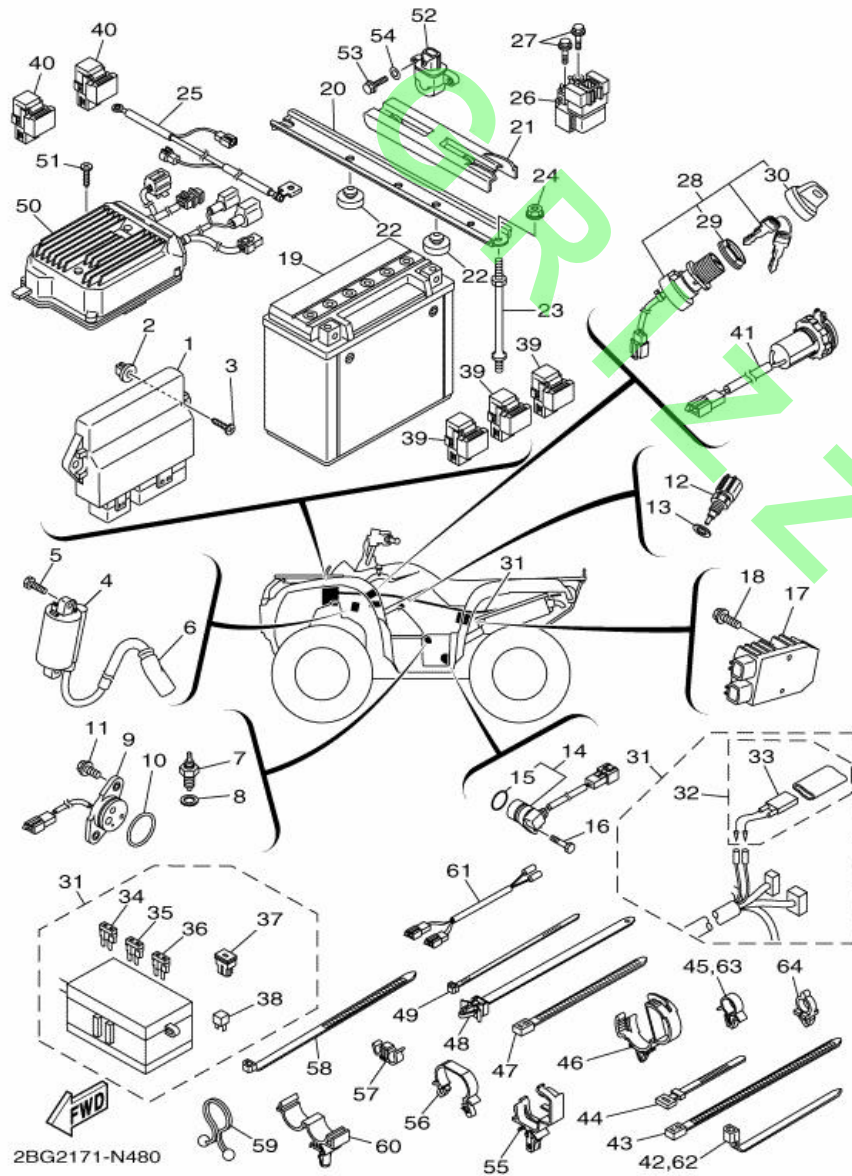
Ref. No.	Part No.	Description	Quantity	Remarks
1	2BG-8591A-00	ENGINE CONTROL UNIT ASSY	1	
2	90338-08226	PLUG	1	
3	97702-60025	SCREW, TAPPING	1	
4	1D7-82310-01	IGNITION COIL ASSY	1	
5	97002-06016	BOLT	2	
6	5VK-82370-00	PLUG CAP ASSY	1	
7	3GB-82540-01	NEUTRAL SWITCH ASSY	1	
8	90430-10148	GASKET	1	
9	3B4-82540-01	NEUTRAL SWITCH ASSY	1	
10	93210-29196	O-RING	1	
11	90119-06137	BOLT, WITH WASHER	2	
12	5YP-85790-00	THERMOSENSOR ASSY	1	
13	90430-12202	GASKET	1	
14	3B4-83755-00	SENSOR, SPEED	1	
15	4D9-81168-00	O-RING	1	
16	91312-06020	BOLT	1	
17	1D7-81960-01	RECTIFIER & REGULATOR ASSY	1	
18	95812-06020	BOLT, FLANGE	2	
19	5FU-H2100-20	BATTERY ASSY (YUASA YTX20L-BS)	1	
20	1HP-H2128-00	BRACKET, BATTERY	1	
21	3B4-82129-00	COVER, BATTERY	1	
22	22W-24741-00	PAD, SEAT	2	
23	3B4-82133-10	SCREW, FITTING	2	
24	95702-06500	NUT, FLANGE	2	
25	34D-82116-00	WIRE, MINUS LEAD	1	
26	3B4-81940-00	STARTER RELAY ASSY (2768113-A)	1	
27	95022-06008	BOLT, FLANGE	2	

Fig. 48 ELECTRICAL 1



Ref. No.	Part No.	Description	Quantity	Remarks
	28 28P-82510-00	MAIN SWITCH ASSY	1	
	29 3HN-82569-00	. NUT, MAIN SWITCH	1	
	30 3HN-82579-00	. CAP, KEY	1	
	31 2BG-82590-00	WIRE HARNESS ASSY	1	
	32 4GB-82180-00	. CIRCUIT BREAKER ASSY	1	
	33 4GB-82560-00	.. THERMO SWITCH ASSY	1	
	34 5JJ-82151-90	. FUSE (5A-BL)	2	
	35 5JJ-82151-20	. FUSE (20A-BL)	2	
	36 5JJ-82151-30	. FUSE (10A-BL)	5	
	37 5PS-82151-00	. FUSE (40A)	2	
	38 3WP-81980-00	. DIODE ASSY	1	
	39 5DM-81950-00	RELAY ASSY (G8HN-1C4T-DJ-Y52)	3	
	40 8FP-81950-01	RELAY ASSY (8FP-01)	2	
	41 1HP-H254B-10	TERMINAL COMP.	1	
	42 90464-15195	CLAMP	2	
	43 90464-40825	CLAMP	4	
	44 437-83936-01	BAND, SWITCH CORD	4	
	45 90464-15157	CLAMP	5	
	46 90464-20181	CLAMP	2	
	47 90464-31827	CLAMP	1	122X4.80
	48 90464-10112	CLAMP	1	(160X8.00)
	49 5Y9-12491-00	CLAMP 1	2	
	50 2BG-859A0-00	POWER STRG. CONT. UNIT ASSY	1	
	51 98902-06020	SCREW, BIND	1	
	52 3B4-82576-00	SENSOR, LEAN ANGLE	1	
	53 97002-05016	BOLT	2	
	54 92902-05600	WASHER, PLATE	2	

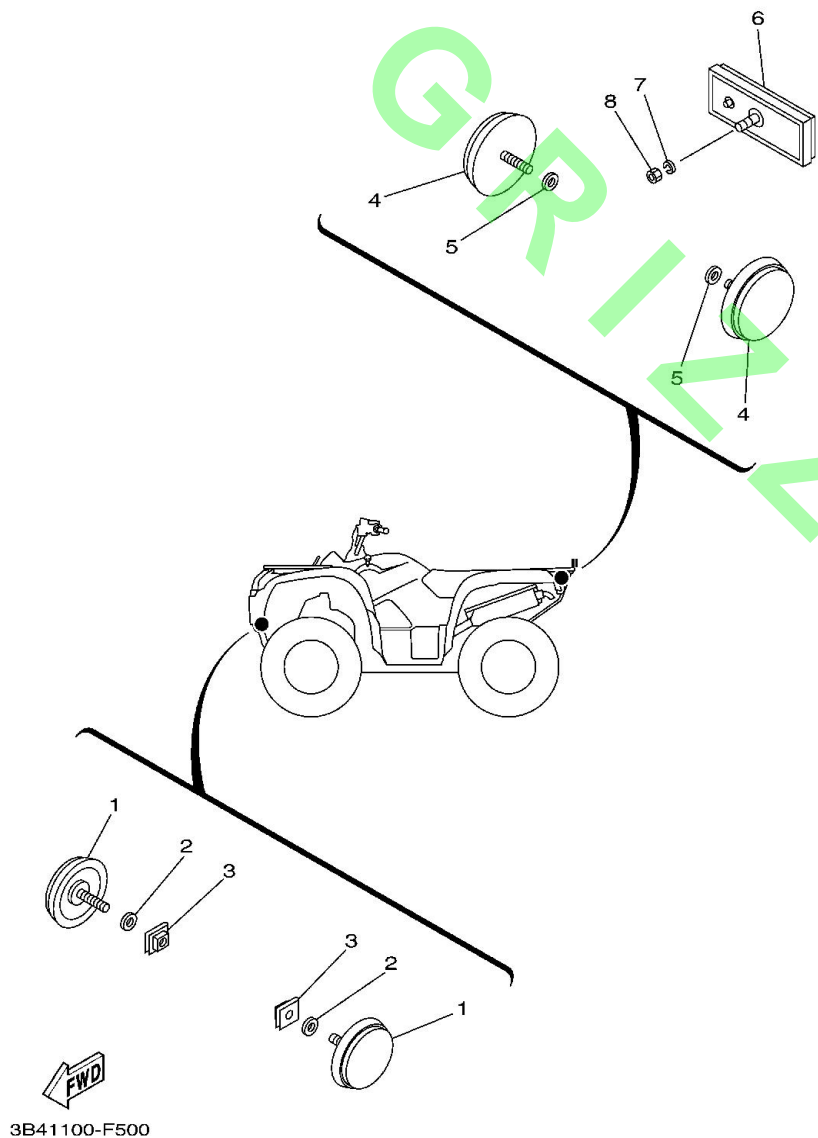
Fig. 48 ELECTRICAL 1



Ref. No.	Part No.	Description		Remarks
	55 90464-20237	CLAMP	2	
	56 90464-24230	CLAMP	1	
	57 90464-09013	CLAMP	2	
	58 90464-12045	CLAMP	3	
	59 90464-14800	CLAMP	1	
	60 90464-16012	CLAMP	1	
	61 5KM-86171-00	WIRE, LEAD 1	1	
	62 90464-15195	CLAMP	1	
	63 90464-15157	CLAMP	1	
	64 90464-10833	CLAMP	1	

Fig. 49 ELECTRICAL 2

Ref. No.	Part No.	Description		Remarks
1	2EK-85111-00	REFLECTOR, FRONT 1	2	
2	92902-05200	WASHER	2	
3	90183-051A0	NUT, SPRING	2	
4	449-85131-02	REFLECTOR, REAR 1	2	
5	92902-05200	WASHER	2	
6	3Y6-85130-02	REAR REFLECTOR ASSY	1	
7	92902-05200	WASHER	1	
8	95302-05600	NUT	1	



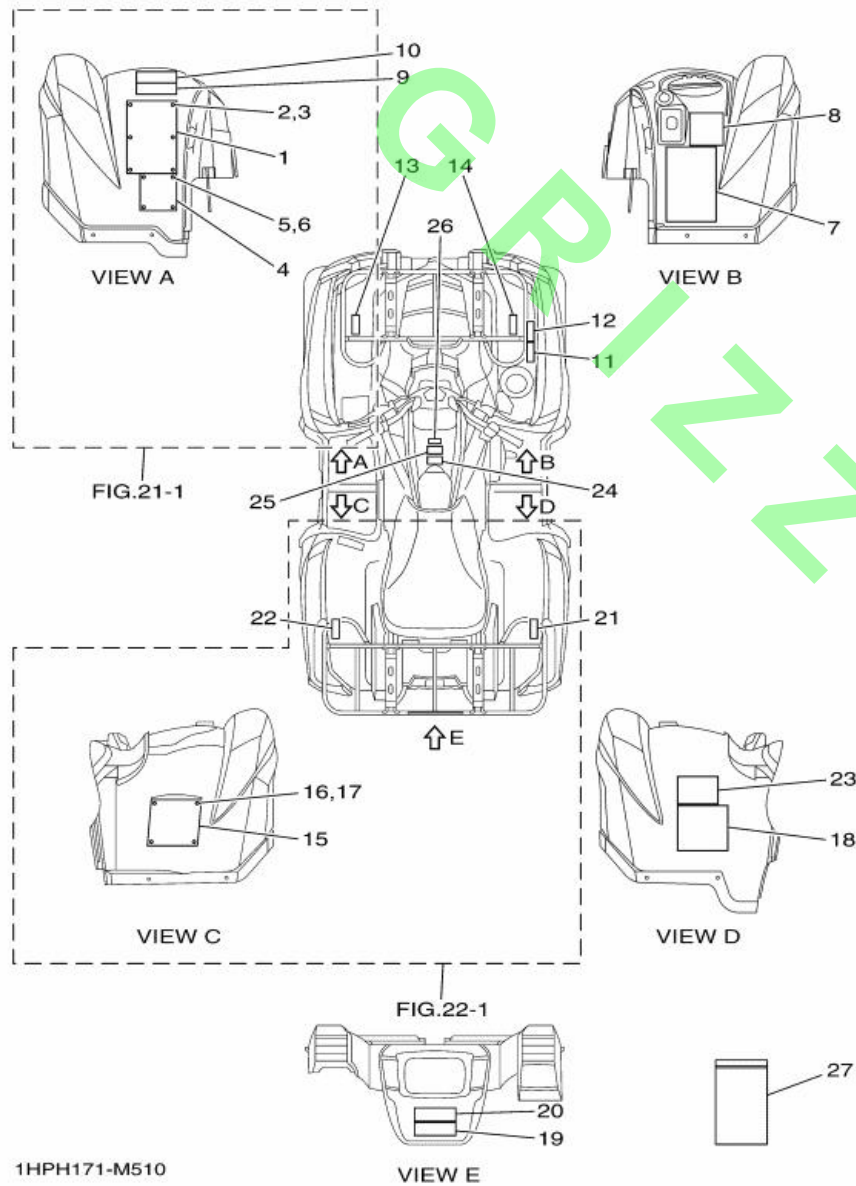
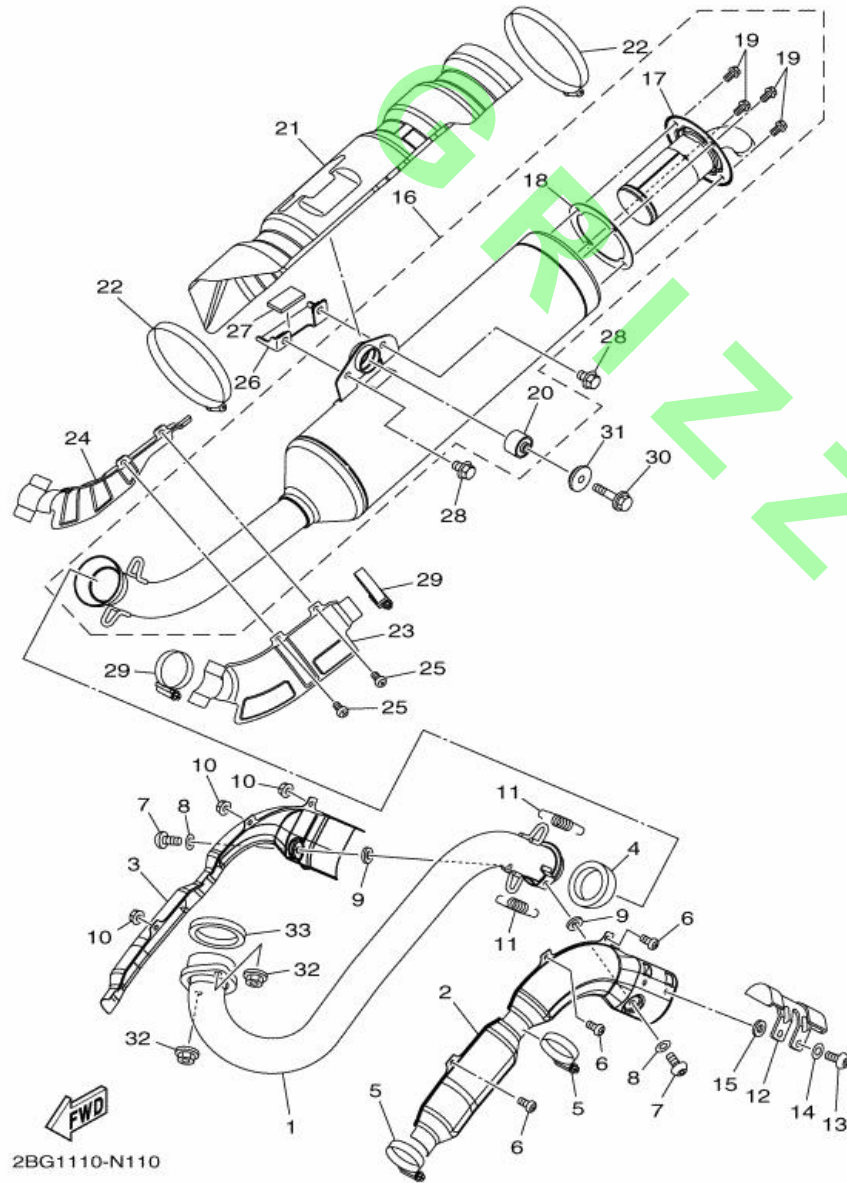


Fig. 51 EMBLEM & LABEL 1

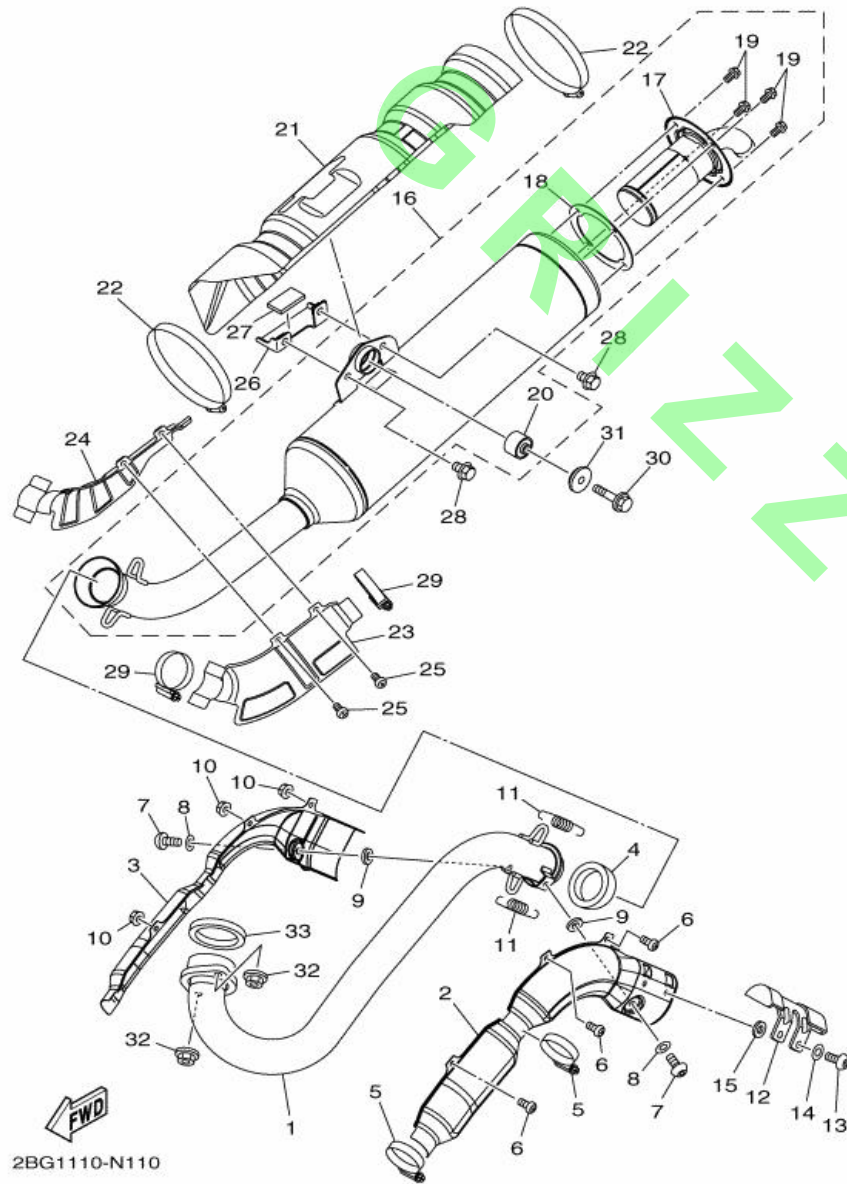
Ref. No.	Part No.	Description	Quantity	Remarks
1	4XE-F1568-00	LABEL, WARNING	1	ENGLISH
2	4XE-F1539-10	RIVET	6	
3	4XE-F1549-00	WASHER, FENDER MOLD	6	
4	1P0-F816L-00	LABEL, WARNING AGE	1	ENGLISH
5	4XE-F1539-10	RIVET	4	
6	4XE-F1549-00	WASHER, FENDER MOLD	4	
7	4XE-F1568-20	LABEL, WARNING	1	FRENCH
8	1P0-F816L-10	LABEL, WARNING AGE	1	FRENCH
9	5ND-F151E-00	LABEL 2	1	ENGLISH
10	5ND-F151E-10	LABEL 2	1	FRENCH
11	37S-F151F-00	LABEL 3	1	ENGLISH
12	37S-F151F-10	LABEL 3	1	FRENCH
13	1HP-F4877-00	LABEL, CAUTION	1	ENGLISH
14	1HP-F4877-10	LABEL, CAUTION	1	FRENCH
15	1HP-F816M-00	LABEL, WARNING TIRE & LOAD	1	ENGLISH
16	4XE-F1539-10	RIVET	4	
17	4XE-F1549-00	WASHER, FENDER MOLD	4	
18	1HP-F816M-10	LABEL, WARNING TIRE & LOAD	1	FRENCH
19	37S-F151K-00	LABEL 7	1	ENGLISH
20	37S-F151K-10	LABEL 7	1	FRENCH
21	1HP-F4897-10	EMBLEM	1	FRENCH
22	1HP-F4897-20	EMBLEM	1	ENGLISH
23	4XE-F151H-10	LABEL 5	1	FRENCH
24	5ND-F1558-00	LABEL, WARNING 2	1	ENGLISH
25	5ND-F1558-10	LABEL, WARNING 2	1	FRENCH
26	4XE-F416E-00	LABEL, CAUTION CANADA	1	
27	1P0-F8186-01	POUCH	1	

Fig. 11 EXHAUST



Ref. No.	Part No.	Description		Remarks
	1 2BG-E4611-00	PIPE, EXHAUST 1	1	
	2 2BG-E4627-00	COVER, EXHAUST	1	
	3 2BG-E463B-00	PROTECTOR, EXT. PIPE 2	1	
	4 1HP-E4714-00	GASKET, MUFFLER	1	
	5 90450-45806	HOSE CLAMP ASSY	2	
	6 98502-06012	SCREW, PAN HEAD	3	
	7 92012-06010	BOLT, BUTTON HEAD	2	
	8 92902-06200	WASHER	2	
	9 90201-05037	WASHER, PLATE	2	
	10 95702-06500	NUT, FLANGE	3	
	11 90506-30006	SPRING, TENSION	2	
	12 1HP-E4758-00	PROTECTOR, SILENCER	1	
	13 92012-06012	BOLT, BUTTON HEAD	2	
	14 92902-06200	WASHER	2	
	15 90201-05015	WASHER, PLATE	2	
	16 2BG-E4703-00	MUFFLER COMP. 1	1	
	17 2BG-E4780-00	. SPARK ARRESTER ASSY	1	
	18 2BG-E4755-00	. GASKET, SILENCER	1	
	19 95022-06012	. BOLT, FLANGE	4	
	20 1HP-F7414-00	. DAMPER, FOOTREST	1	
	21 1HP-E4718-00	PROTECTOR, MUFFLER 1	1	
	22 90450-99805	HOSE CLAMP ASSY	2	
	23 1HP-E471C-00	PROTECTOR ASSY 1	1	
	24 1HP-E472C-00	PROTECTOR ASSY., 2	1	
	25 98502-06012	SCREW, PAN HEAD	2	
	26 1HP-E477U-00	STOPPER 1	1	
	27 1HP-E4733-00	MAT 1	1	

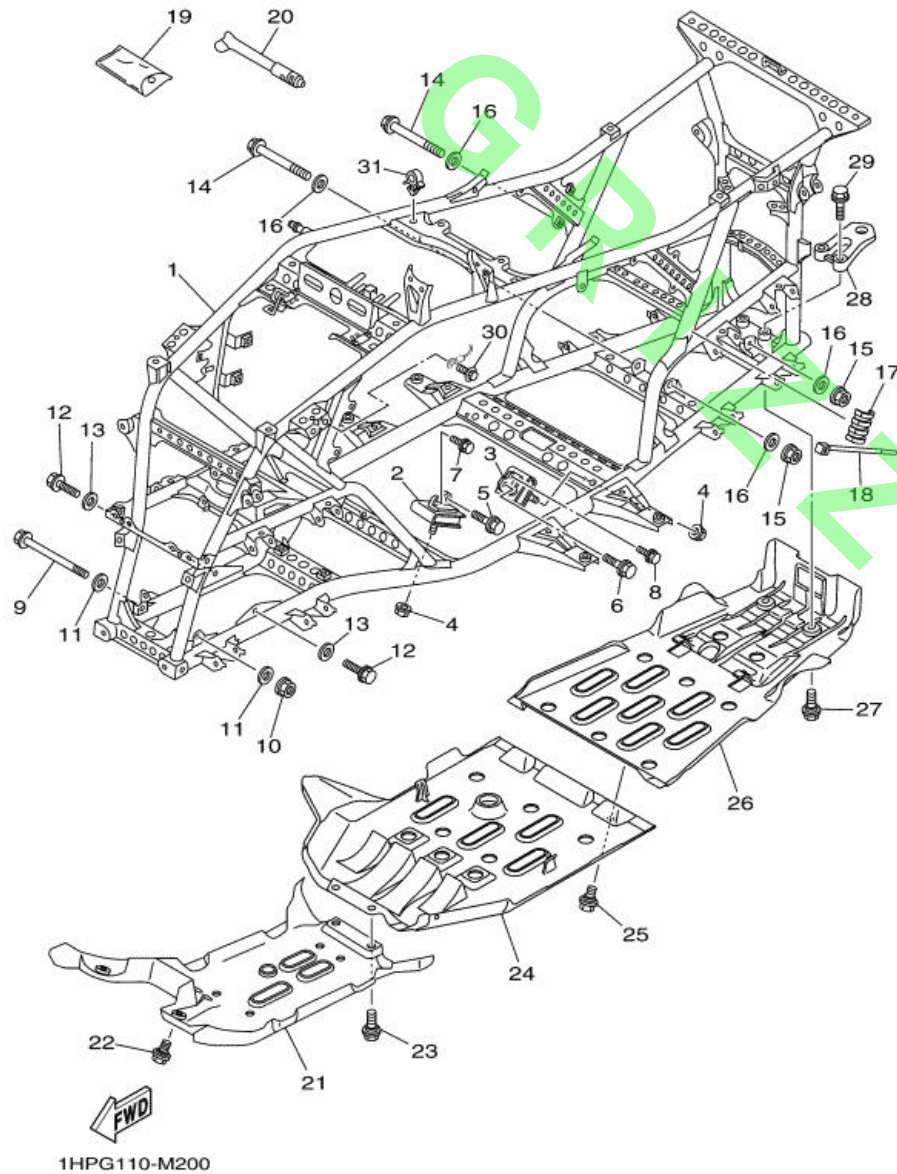
Fig. 11 EXHAUST



2BG1110-N110

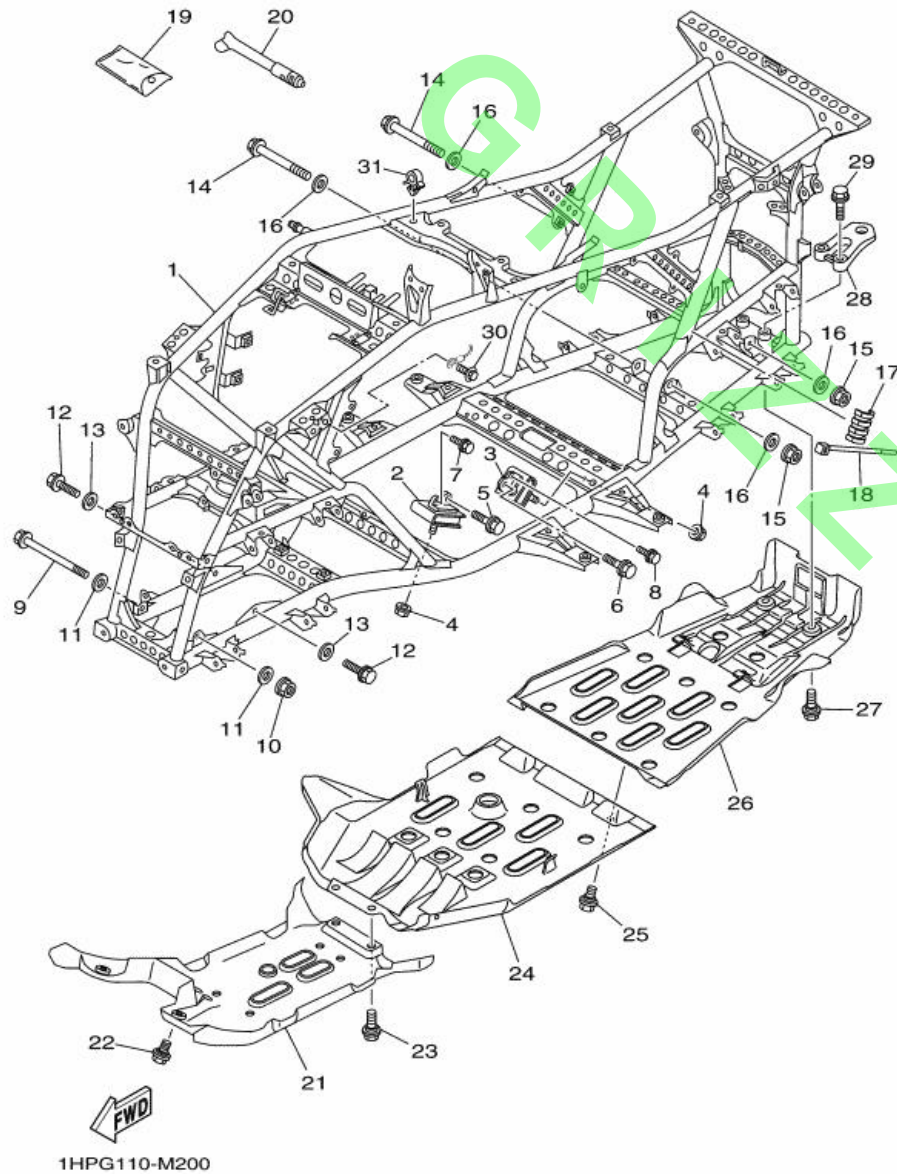
Ref. No.	Part No.	Description		Remarks
	28 95822-08012	BOLT, FLANGE	2	
	29 90450-45806	HOSE CLAMP ASSY	2	
	30 95812-08040	BOLT, FLANGE	1	
	31 3B4-14759-01	WASHER	1	
	32 95702-08500	NUT, FLANGE	2	
	33 3EG-14613-00	GASKET, EXHAUST PIPE	1	

Fig. 20 FRAME



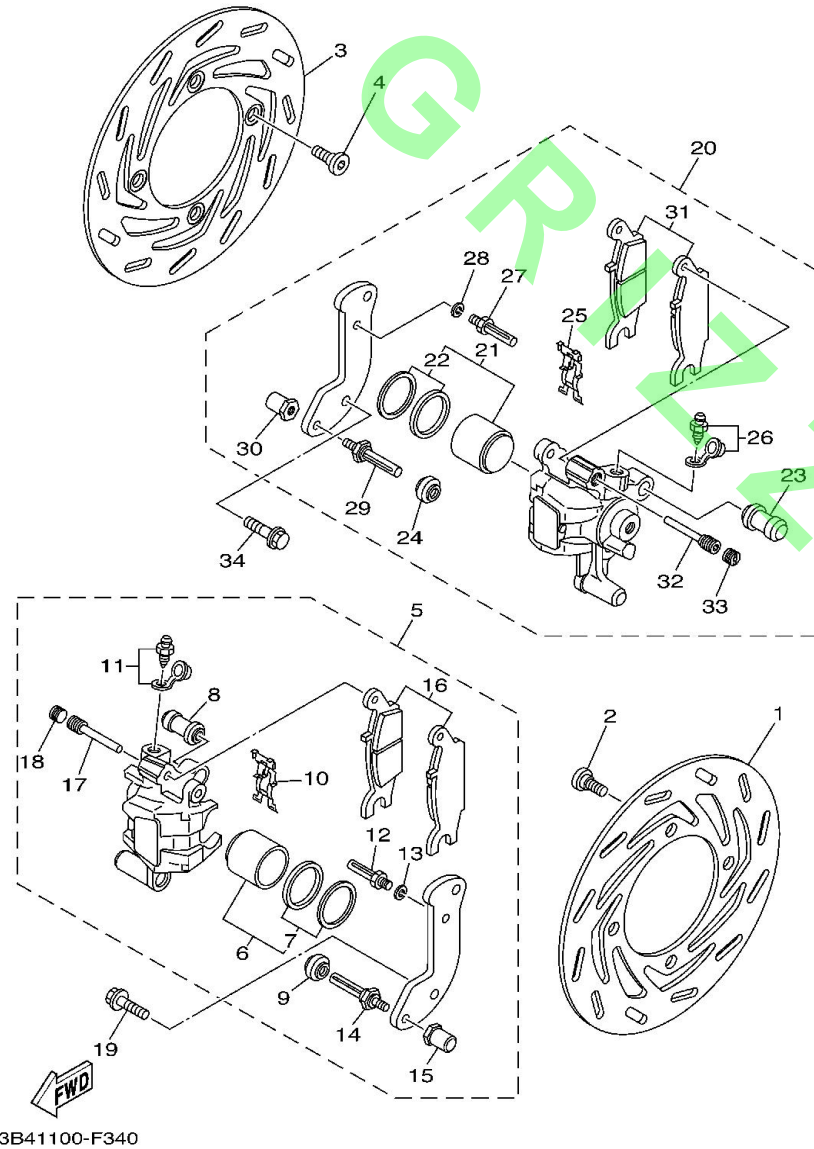
Ref. No.	Part No.	Description		Remarks
1	1HP-F1110-20	FRAME COMP.	1	
2	3B4-21485-00	DAMPER, RUBBER 1	2	
3	3B4-21485-00	DAMPER, RUBBER 1	2	
4	90185-10011	NUT, SELF-LOCKING	4	
5	95812-10035	BOLT, FLANGE	2	
6	95812-10035	BOLT, FLANGE	2	
7	90105-06639	BOLT, FLANGE	2	
8	90105-06639	BOLT, FLANGE	2	
9	90105-10219	BOLT, FLANGE	1	
10	90185-10011	NUT, SELF-LOCKING	1	
11	90201-10035	WASHER, PLATE	2	
12	90105-10237	BOLT, FLANGE	2	
13	90201-10035	WASHER, PLATE	2	
14	90105-10238	BOLT, FLANGE	2	
15	90185-10011	NUT, SELF-LOCKING	2	
16	90201-10035	WASHER, PLATE	4	
17	3B4-2113B-01	DAMPER	1	
18	90464-40825	CLAMP	1	
19	2BG-F8100-00	TOOL KIT	1	
20	1NV-2811A-01	GAUGE, AIR	1	
21	1HP-F147A-00	GUARD, ENGINE 1	1	
22	90109-06202	BOLT	2	
23	90109-06214	BOLT	2	
24	1HP-F147E-00	GUARD, ENGINE 2	1	
25	90109-06214	BOLT	2	
26	1HP-F147F-00	GUARD, ENGINE 3	1	
27	90109-06202	BOLT	2	

Fig. 20 FRAME



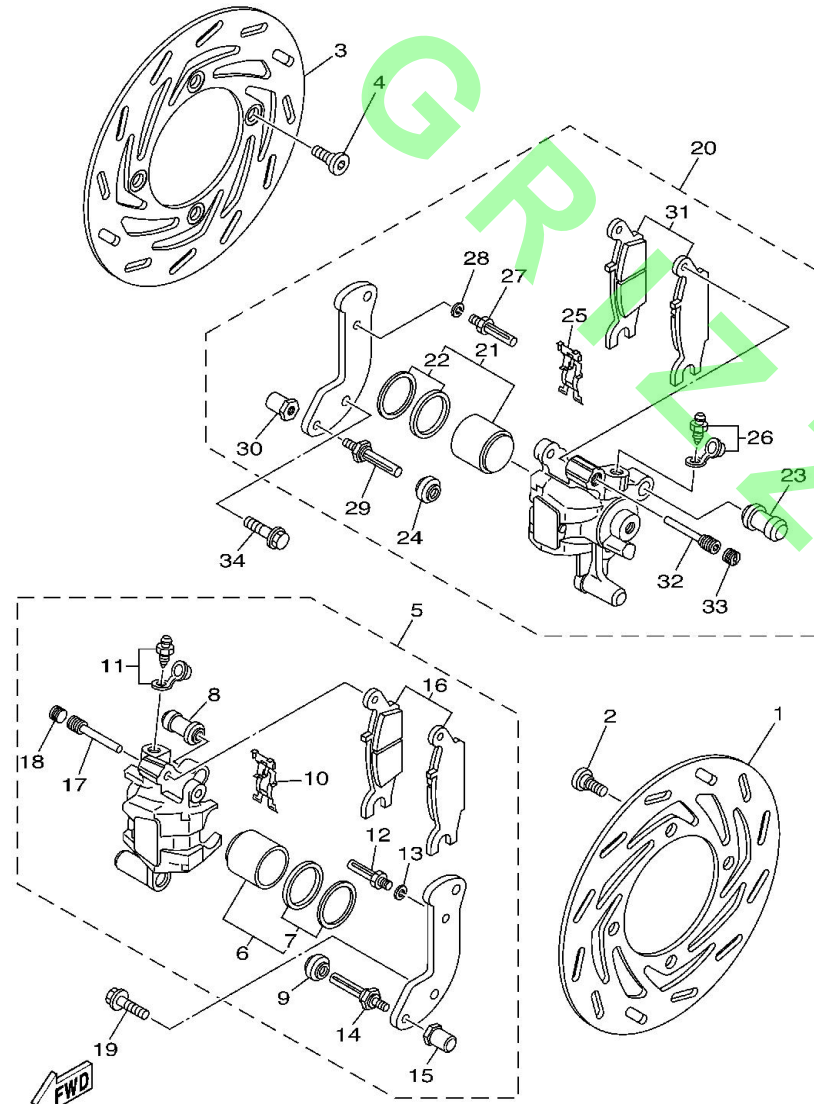
Ref. No.	Part No.	Description		Remarks
	28 1HP-F8488-00	HOOK	1	
	29 95812-10035	BOLT, FLANGE	2	
	30 95812-06012	BOLT, FLANGE	1	
	31 90464-15157	CLAMP	1	

Fig. 34 FRONT BRAKE CALIPER



Ref. No.	Part No.	Description		Remarks
	1	1HP-F582T-00	DISC, BRAKE (LEFT)	1
	2	90109-08101	BOLT	4
	3	1HP-F582T-00	DISC, BRAKE (LEFT)	1
	4	90109-08101	BOLT	4
	5	3B4-2580T-02	CALIPER ASSY (LEFT)	1
	6	3B4-W0057-00	. PISTON ASSY, CALIPER	1
	7	3B4-W0047-00	. . CALIPER SEAL KIT	1
	8	1UY-25937-51	. BOOT 2	1
	9	3JD-25917-00	. BOOT, CALIPER	1
	10	5DH-25919-00	. SUPPORT, PAD	1
	11	1UY-W0048-50	. BLEED SCREW KIT	1
	12	1UY-25926-51	. BOLT	1
	13	1UY-25938-51	. WASHER, SPRING	1
	14	3JD-25926-00	. BOLT	1
	15	3JD-25961-00	. NUT	1
	16	3B4-W0045-00	. BRAKE PAD KIT	1
	17	5DH-25933-00	. PIN, PAD	1
	18	5DH-25916-00	. PLUG	1
	19	90105-08161	BOLT, FLANGE	2
	20	3B4-2580U-02	CALIPER ASSY (RIGHT)	1
	21	3B4-W0057-00	. PISTON ASSY, CALIPER	1
	22	3B4-W0047-00	. . CALIPER SEAL KIT	1
	23	1UY-25937-51	. BOOT 2	1
	24	3JD-25917-00	. BOOT, CALIPER	1
	25	5DH-25919-00	. SUPPORT, PAD	1
	26	1UY-W0048-50	. BLEED SCREW KIT	1
	27	1UY-25926-51	. BOLT	1

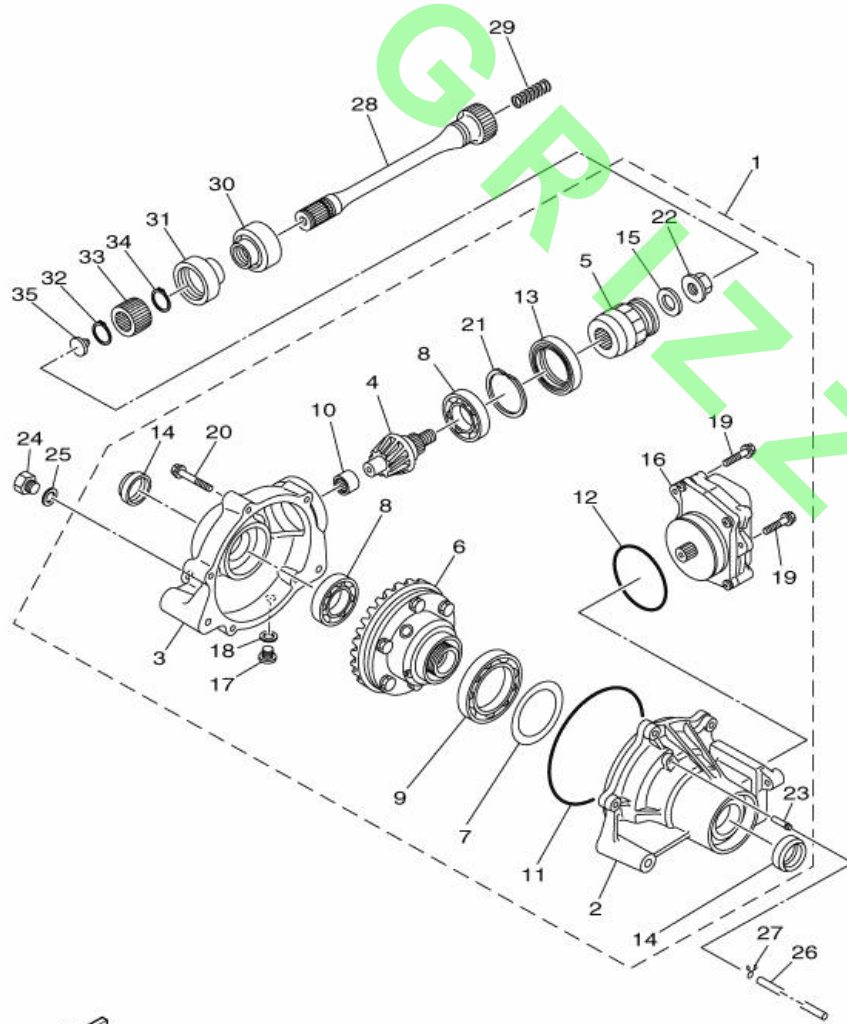
Fig. 34 FRONT BRAKE CALIPER



3B41100-F340

Ref. No.	Part No.	Description		Remarks
	28 1UY-25938-51	. WASHER, SPRING	1	
	29 3JD-25926-00	. BOLT	1	
	30 3JD-25961-00	. NUT	1	
	31 3B4-W0045-10	. BRAKE PAD KIT	1	
	32 5DH-25933-00	. PIN, PAD	1	
	33 5DH-25916-00	. PLUG	1	
	34 90105-08161	BOLT, FLANGE	2	

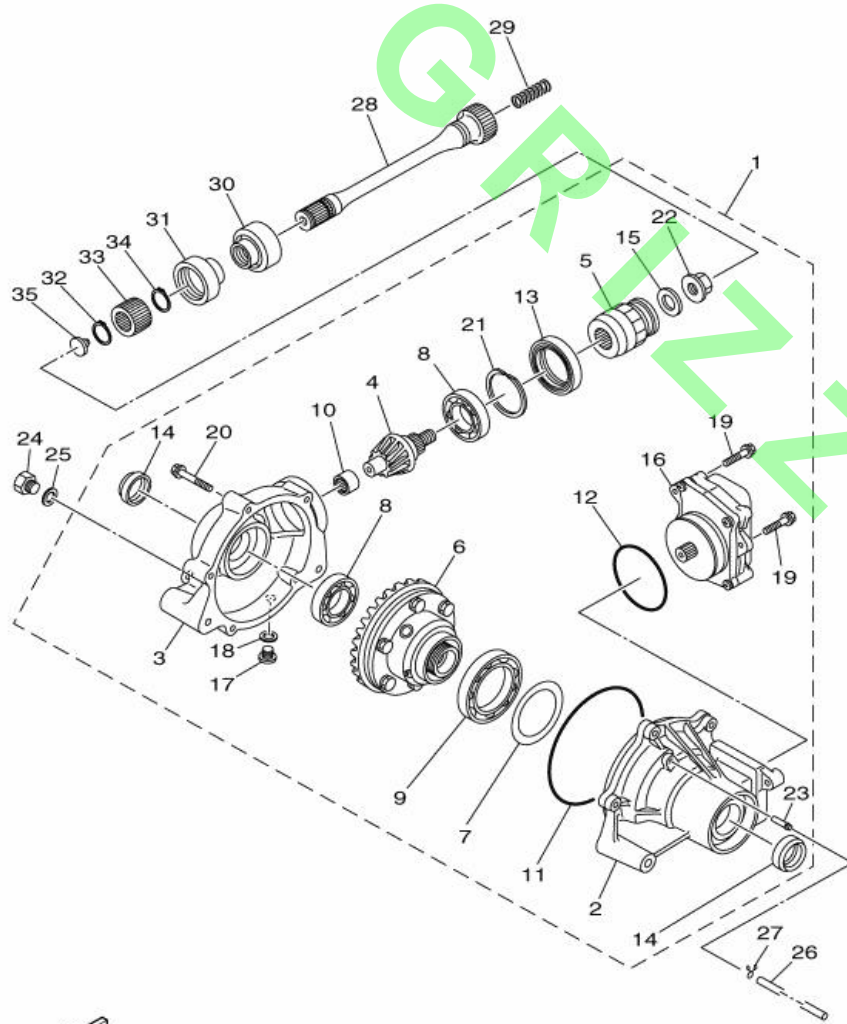
Fig. 27 FRONT DIFFERENTIAL



1DT1100-K270

Ref. No.	Part No.	Description		Remarks
	1 1HP-46160-00	FRONT AXLE GEAR CASE COMP.	1	
	2 3B4-46162-01	. HOUSING, BEARING 2	1	
	3 3B4-46161-00	. HOUSING, SHAFT DRIVE 2	1	
	4 3B4-46141-00	. PINION, DRIVE 2	1	
	5 3B4-67839-10	. CUPLING	1	
	6 3B4-46470-02	. LIMITED SLIP DIFF. ASSY	1	
	7 3B4-46117-00	. SHIM, RING GEAR (0.1T)	1	UR
	3B4-46117-10	. SHIM, RING GEAR (0.2T)	1	UR
	3B4-46117-20	. SHIM, RING GEAR (0.3T)	1	UR
	3B4-46117-30	. SHIM, RING GEAR (0.4T)	1	UR
	8 93306-00613	. BEARING	2	
	9 3B4-46164-00	. BEARING 1	1	
	10 3B4-46166-00	. BEARING 3	1	
	11 3B4-46134-00	. O-RING 1	1	
	12 3B4-46135-00	. O-RING 2	1	
	13 93105-46001	. OIL SEAL	1	
	14 3B4-46163-00	. SEAL, OIL 1	2	
	15 3B4-47359-00	. WASHER	1	
	16 1HP-4616A-00	. SERVO MOTOR COMP	1	
	17 90340-10001	. PLUG, STRAIGHT SCREW	1	
	18 90430-10003	. GASKET	1	
	19 95812-06014	. BOLT, FLANGE	3	
	20 95812-08040	. BOLT, FLANGE	5	
	21 3B4-46142-00	. RING,HOLE SNAP 1	1	
	22 4WV-46145-10	. NUT 1	1	
	23 5GH-46293-00	. TUBE	1	
	24 90340-14029	PLUG, STRAIGHT SCREW	1	

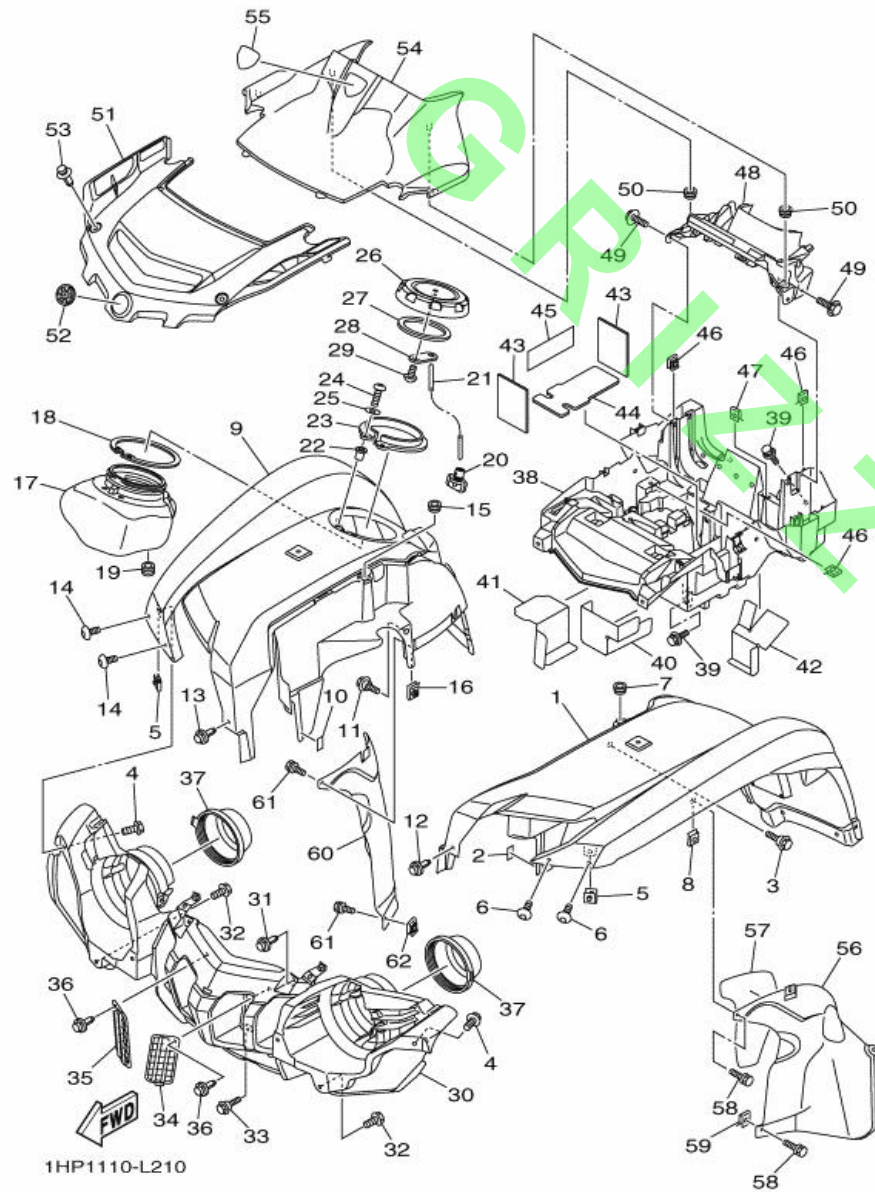
Fig. 27 FRONT DIFFERENTIAL



1DT1100-K270

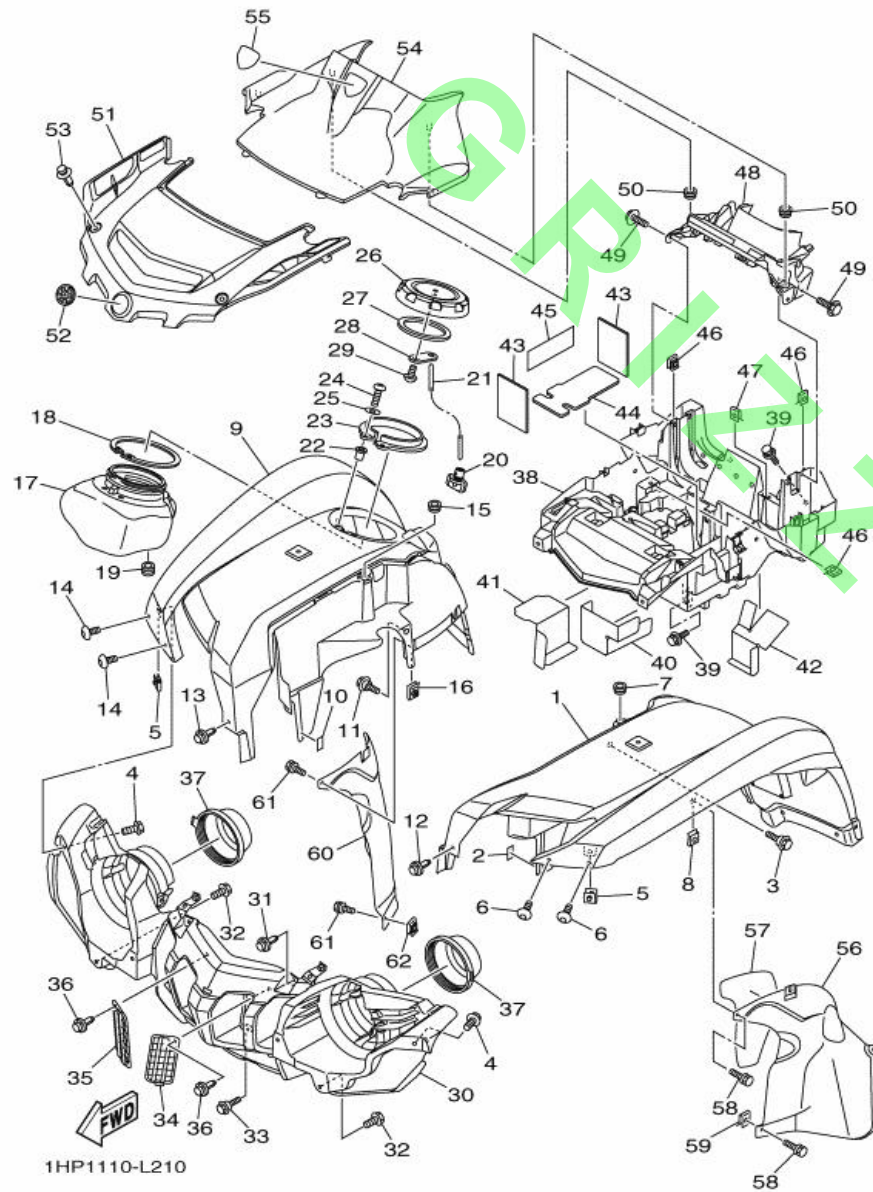
Ref. No.	Part No.	Description		Remarks
	25 214-11198-01	GASKET	1	
	26 90445-070F1	HOSE (L950)	1	
	27 90467-07029	CLIP	1	
	28 1HP-G6173-00	SHAFT, DRIVE 2	1	
	29 90501-20361	SPRING, COMPRESSION	1	
<hr/>				
	30 5KM-46137-00	SEAL 2	1	
	31 5KM-46136-00	SEAL 1	1	
	32 99009-19400	CIRCLIP	1	
	33 5KM-46126-00	COUPLING	1	
	34 93410-22039	CIRCLIP	1	
<hr/>				
	35 5KM-46559-00	DAMPER	1	
<hr/>				
<hr/>				
<hr/>				
<hr/>				
<hr/>				

Fig. 21 FRONT FENDER



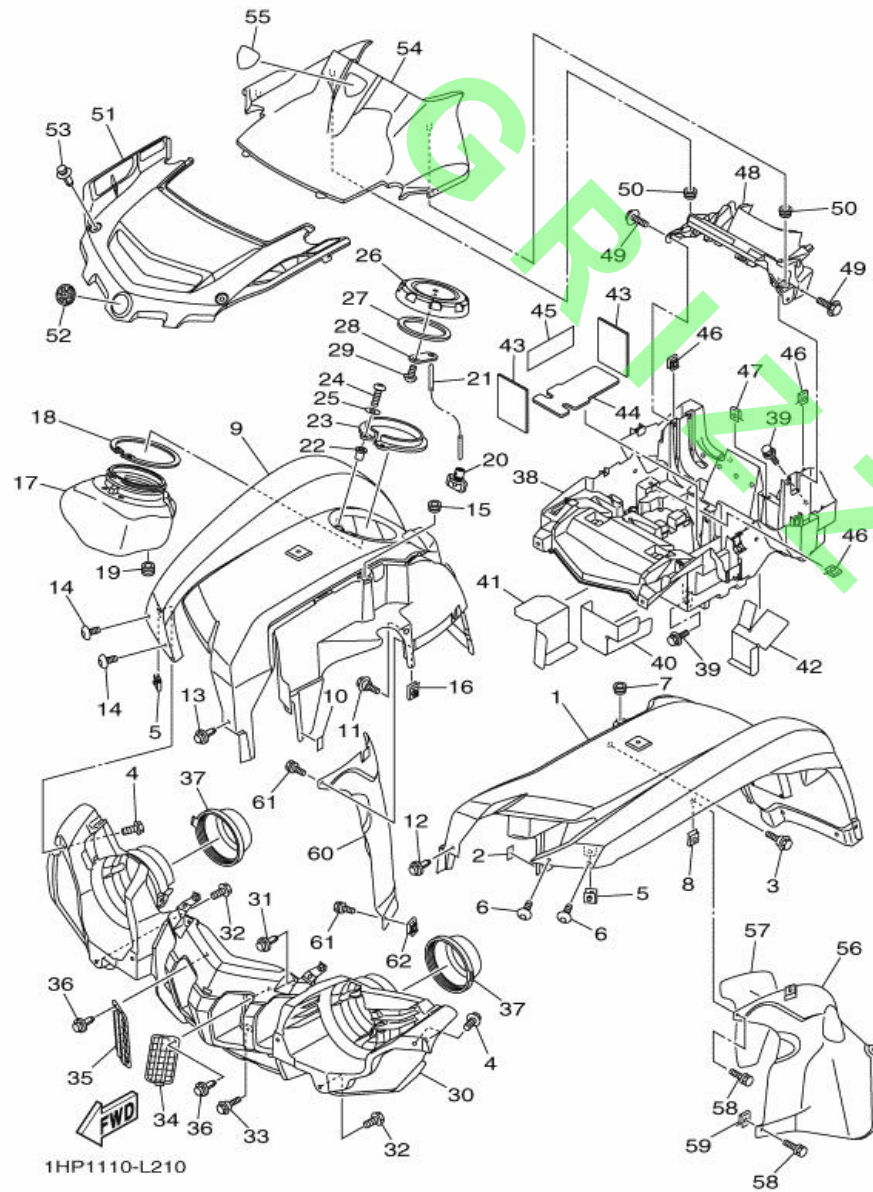
Ref. No.	Part No.	Description	Quantity	Remarks
	1 1HP-F1500-00	FRONT FENDER ASSY	1	UR FOR PDG
	2 3B4-21541-00	DAMPER 1	1	
	3 90109-06172	BOLT	1	
	4 90119-05193	BOLT, WITH WASHER	2	
	5 90183-051A0	NUT, SPRING	2	
	6 90149-05034	SCREW	2	
	7 90480-13398	GROMMET	1	
	8 90183-06053	NUT, SPRING	1	
	9 1HP-F1556-00	FENDER, FRONT 2	1	UR FOR PDG
	10 3B4-21541-00	DAMPER 1	1	
	11 90109-06172	BOLT	1	
	12 90269-07012	RIVET	1	
	13 90269-07012	RIVET	1	
	14 90149-05034	SCREW	2	
	15 90480-13398	GROMMET	1	
	16 90183-06053	NUT, SPRING	1	
	17 1HP-F838K-00	BOX 1	1	
	18 3B4-2838M-00	SEAL, BOX 1	1	
	19 90480-13004	GROMMET	1	
	20 3B4-215A1-00	PLUG, DRAIN	1	
	21 3B4-2845L-00	STOPPER, OPEN	1	
	22 90179-05523	NUT	2	
	23 3B4-2839N-00	HOLDER	1	
	24 98502-05016	SCREW, PAN HEAD	2	
	25 92902-05600	WASHER, PLATE	2	
	26 1HP-F151B-00	CAP	1	
	27 3B4-28307-00	SEAL	1	

Fig. 21 FRONT FENDER



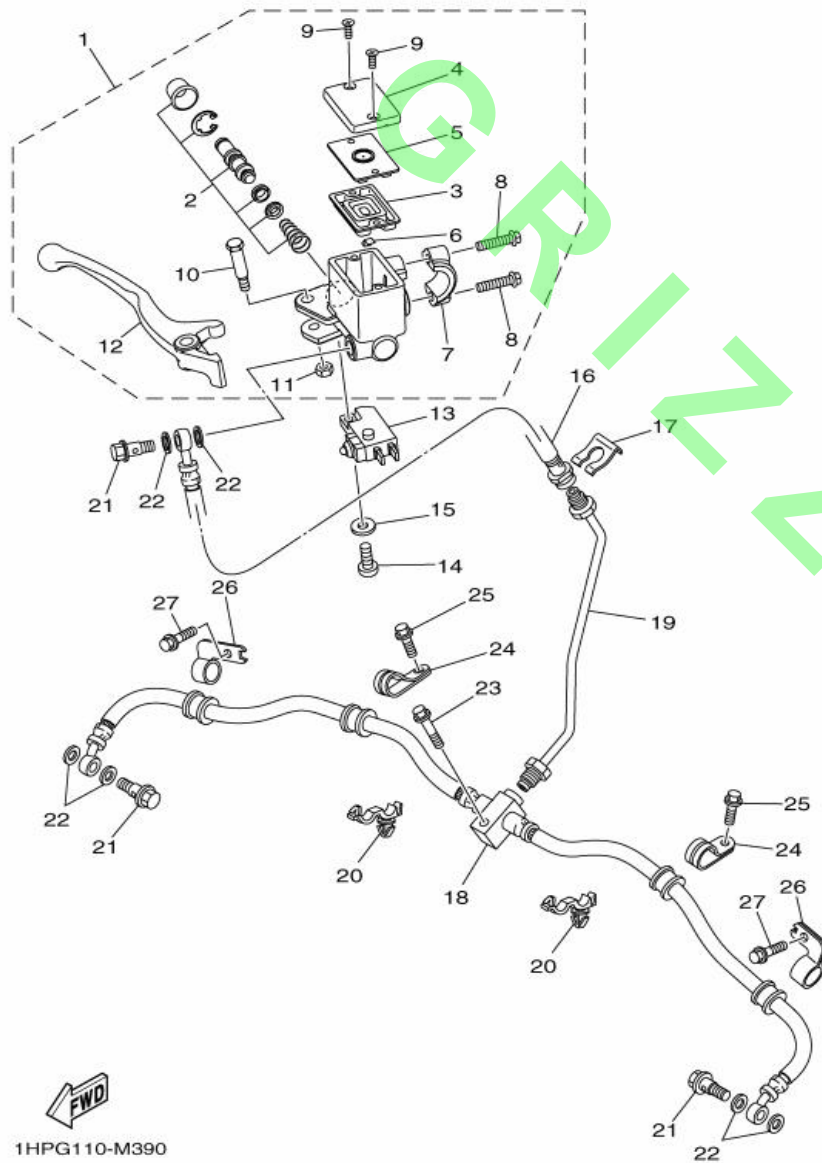
Ref. No.	Part No.	Description		Remarks
	28 3B4-28487-00	PLATE 2	1	
	29 90164-05800	SCREW, TAPPING	1	
	30 1HP-F8309-00	GRILLE, FRONT	1	
	31 90269-07010	RIVET	2	
	32 90119-05193	BOLT, WITH WASHER	2	
<hr/>				
	33 90109-06172	BOLT	2	
	34 3B4-2837N-00	GRILL, AIR INTAKE 1	1	
	35 3B4-2837R-00	GRILL, AIR INTAKE 2	1	
	36 90269-07077	RIVET	2	
	37 3B4-28349-00	CAP	2	
<hr/>				
	38 1HP-H212B-01	BOX, BATTERY 1	1	
	39 90119-06152	BOLT, WITH WASHER	3	
	40 1HP-H253E-00	INSULATOR 1	1	
	41 1HP-H253F-00	INSULATOR 2	1	
	42 1HP-H254E-00	INSULATOR	1	
<hr/>				
	43 3B4-8233W-10	INSU.	2	
	44 3B4-82122-00	SEAT, BATTERY	1	
	45 1HP-H2176-00	DAMPER	1	
	46 90183-06053	NUT, SPRING	5	
	47 90183-05008	NUT, SPRING	2	
<hr/>				
	48 1HP-F837L-00	PANEL, CONSOLE 1	1	
	49 90119-06152	BOLT, WITH WASHER	4	
	50 90480-13567	GROMMET	2	
	51 1HP-F3391-00	PANEL, FRONT	1	
	52 5FU-F175B-01	TUNING FORK MARK	1	
<hr/>				
	53 90269-07010	RIVET	2	
	54 1HP-F8313-00	LID	1	

Fig. 21 FRONT FENDER



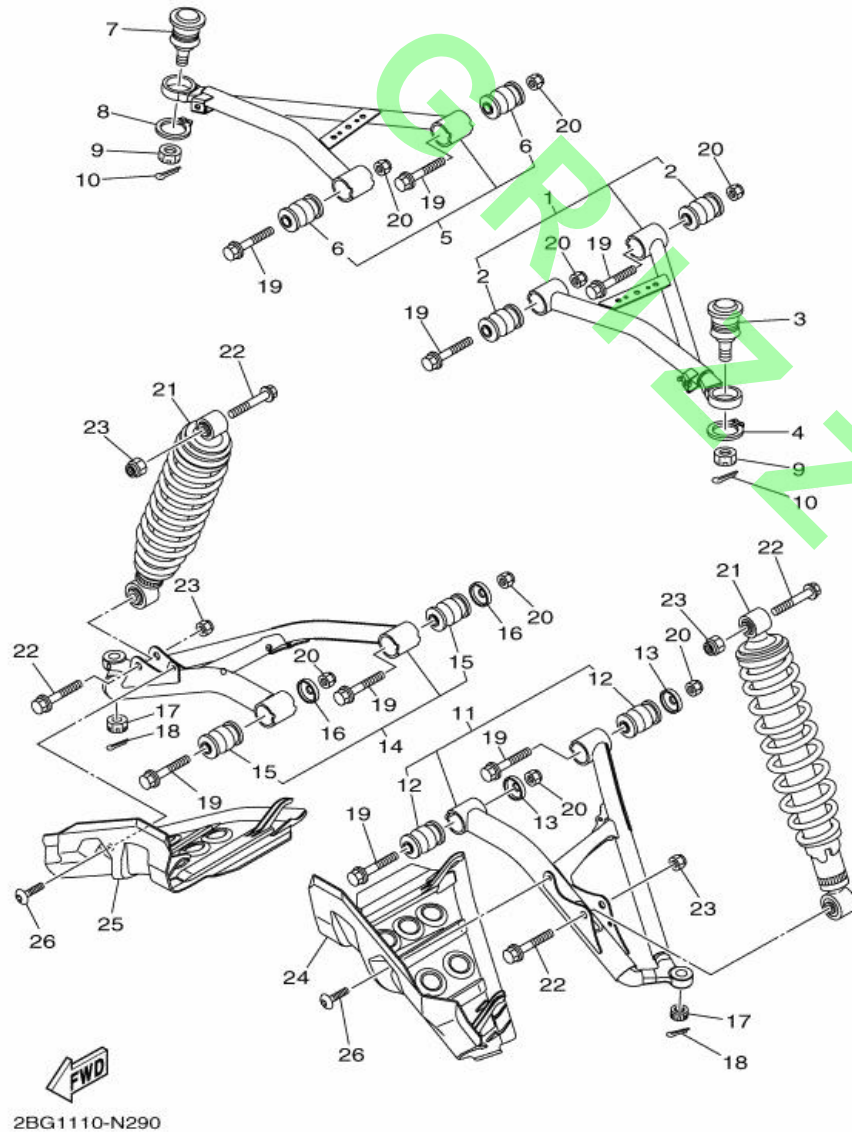
Ref. No.	Part No.	Description		Remarks
	55 3B4-26232-01	EMBLEM 3D	1	
	56 1HP-F1552-00	FENDER, INNER	1	
	57 1HP-F1575-00	SEAL 1	1	
	58 90119-06152	BOLT, WITH WASHER	2	
	59 90183-06053	NUT, SPRING	1	
<hr/>				
	60 1HP-F1553-00	FENDER, INNER 2	1	
	61 90119-06152	BOLT, WITH WASHER	3	
	62 90183-06053	NUT, SPRING	2	
<hr/>				
<hr/>				
<hr/>				
<hr/>				
<hr/>				

Fig. 39 FRONT MASTER CYLINDER



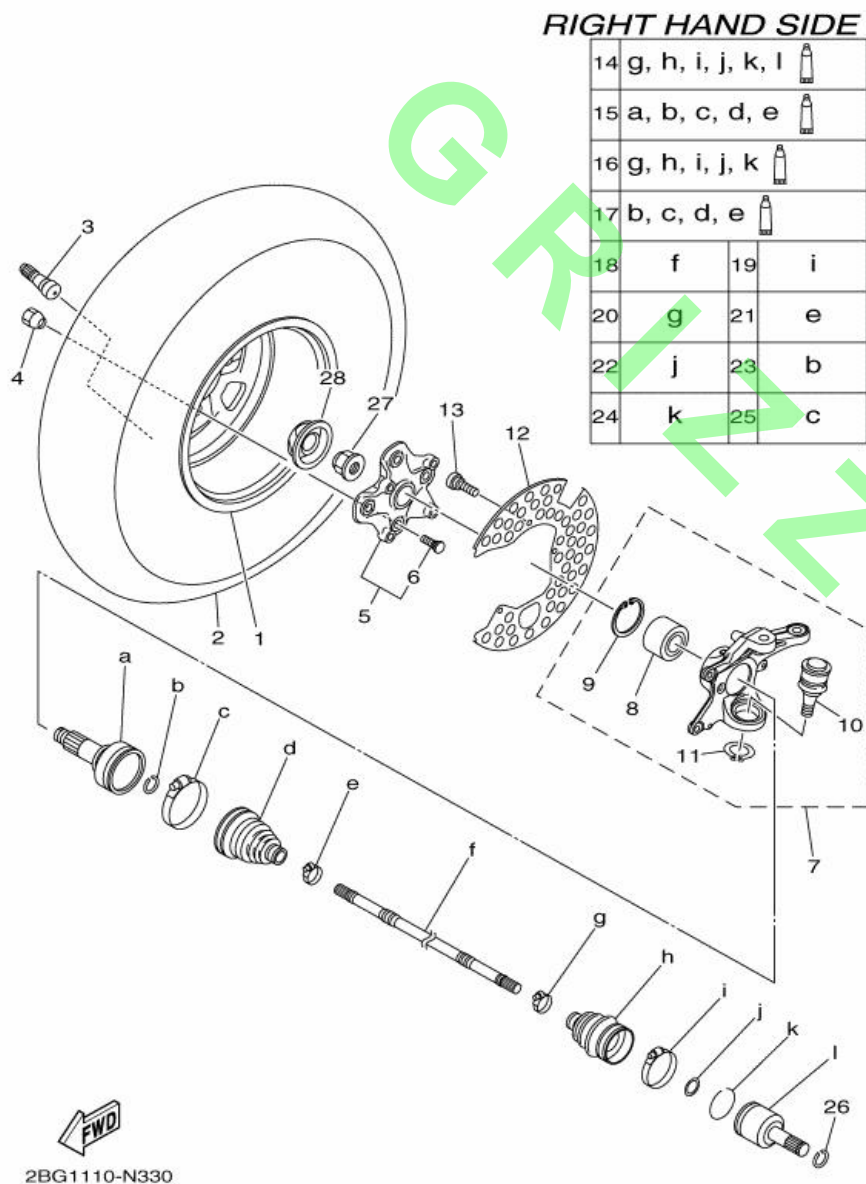
Ref. No.	Part No.	Description		Remarks
	1 1HP-2583T-00	MASTER CYLINDER ASSY	1	
	2 1PE-25807-00	. CYLINDER KIT, MASTER	1	
	3 1HP-25854-00	. DIAPHRAGM, RESERVOIR	1	
	4 1HP-25852-00	. CAP, RESERVOIR	1	
	5 1HP-2585B-00	. PLATE, DIAPHRAGM	1	
	6 1HP-25889-00	. SEPARATOR	1	
	7 1HP-25867-00	. BRACKET, MASTER CYLINDER	1	
	8 1HP-26332-00	. BOLT	2	
	9 98702-04012	. SCREW, FLAT HEAD	2	
	10 1HP-2589F-10	. BOLT, LEVER	1	
	11 95702-06500	. NUT, FLANGE	1	
	12 1HP-83922-00	. LEVER 2	1	
	13 1HP-83980-01	FRONT STOP SWITCH ASSY	1	
	14 98502-04012	SCREW, PAN HEAD	1	
	15 92902-04600	WASHER, PLATE	1	
	16 1HP-F5872-00	HOSE, BRAKE 1	1	
	17 2GU-25866-00	CIRCLIP	1	
	18 2BG-F5873-00	HOSE, BRAKE 2	1	
	19 1HP-F5871-00	PIPE, BRAKE	1	
	20 90464-20010	CLAMP	2	
	21 90401-10015	BOLT, UNION	3	
	22 90201-10118	WASHER, PLATE	6	
	23 95812-06025	BOLT, FLANGE	1	
	24 3B4-25886-00	HOLDER, BRAKE HOSE	2	
	25 95812-06012	BOLT, FLANGE	2	
	26 3B4-25876-10	HOLDER, BRAKE HOSE 2	2	
	27 95812-06012	BOLT, FLANGE	2	

Fig. 29 FRONT SUSPENSION & WHEEL



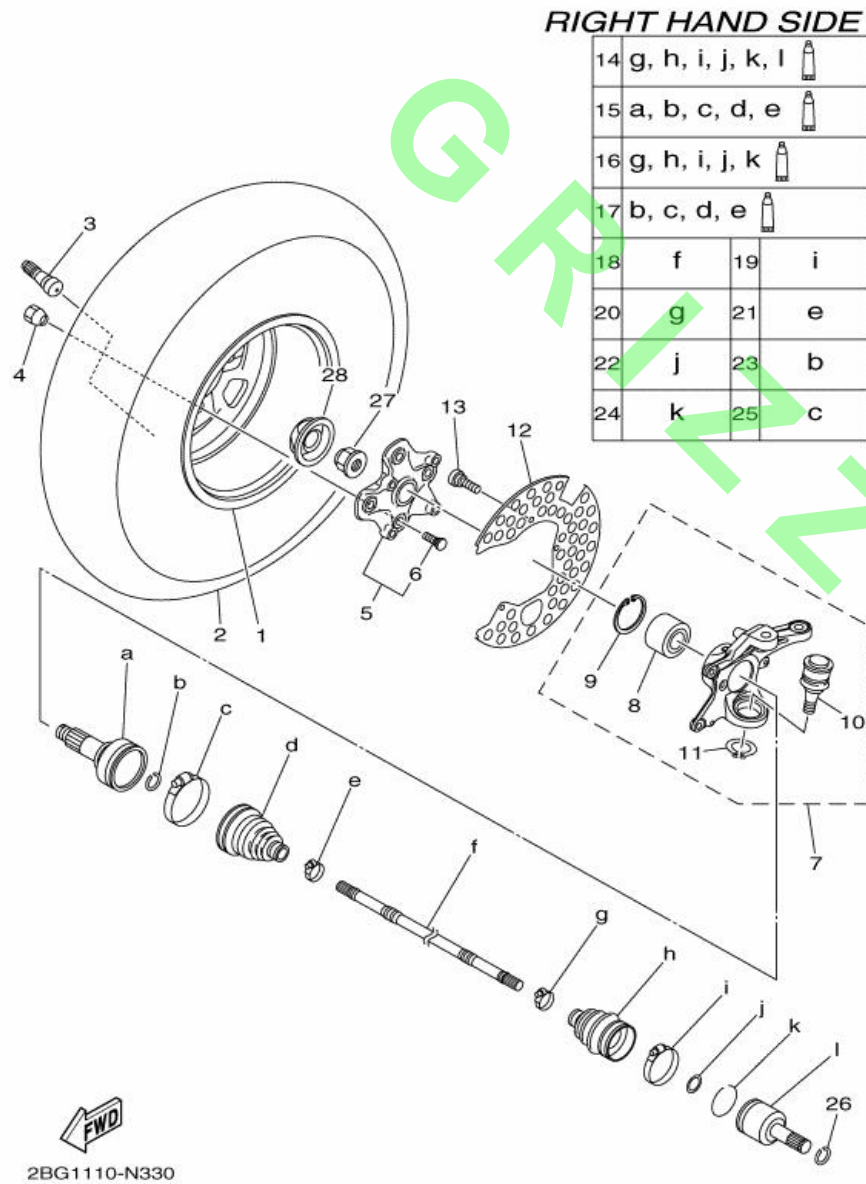
Ref. No.	Part No.	Description		Remarks
1	2BG-F3540-00	FRONT UPPER ARM COMP. (LEFT)	1	
2	1HP-F3526-00	. BUSH	2	
3	3B4-23579-01	BALL JOINT 2	1	
4	99009-30400	CIRCLIP	1	
5	2BG-F3550-00	FRONT UPPER ARM COMP. (RIGHT)	1	
6	1HP-F3526-00	. BUSH	2	
7	3B4-23579-01	BALL JOINT 2	1	
8	99009-30400	CIRCLIP	1	
9	90171-12001	NUT, CASTLE	2	
10	91490-25020	PIN. COTTER	2	
11	2BG-F3570-00	FRONT LOWER ARM COMP. (LEFT)	1	
12	1HP-F3526-00	. BUSH	2	
13	5KM-22149-10	WASHER	2	
14	2BG-F3580-00	FRONT LOWER ARM COMP. (RIGHT)	1	
15	1HP-F3526-00	. BUSH	2	
16	5KM-22149-10	WASHER	2	
17	90171-12001	NUT, CASTLE	2	
18	91490-25020	PIN. COTTER	2	
19	90105-10222	BOLT, FLANGE	8	
20	90185-10012	NUT, SELF-LOCKING	8	
21	2BG-F3350-00	SHOCK ABSORBER ASSY	2	
22	90105-10131	BOLT, FLANGE	4	
23	90185-10012	NUT, SELF-LOCKING	4	
24	2BG-F3123-00	COVER, UNDER 1	1	
25	2BG-F3133-00	COVER, LOWER 2	1	
26	90109-06264	BOLT	2	

Fig. 33 FRONT WHEEL 2



Ref. No.	Part No.	Description	Quantity	Remarks
1	2BG-F5180-00	WHEEL COMP.	1	
2	94108-12819	TIRE (AT25X8-12 MU19A**TL)	1	MAXXIS
3	93900-00813	VALVE, RIM (TR413)	1	MAXXIS
4	90179-10020	NUT	4	
5	3B4-25111-11	HUB, FRONT	1	
6	90114-10014	. BOLT, SERRATION	4	
7	2BG-F3502-10	STEERING KNUCKLE ASSY (RIGHT)	1	
8	93305-00602	. BEARING	1	
9	99009-55500	. CIRCLIP	1	
10	3B4-23579-01	. BALL JOINT 2	1	
11	99009-30400	. CIRCLIP	1	
12	1HP-F514A-00	RING, WHEEL 1	1	
13	98902-06010	SCREW, BIND	3	
14	28P-2510J-01	DOUBLE OFF SET JOINT	1	
15	28P-2510F-01	BALL JOINT SET	1	
16	28P-2510H-01	BOOT SET(DOUBLE OFFSET JOINT)	1	
17	28P-2510G-00	BOOT SET (BALL JOINT)	1	
18	2BG-2518E-00	SHAFT	1	
19	3B4-2511H-00	BOOT BAND(DOUBLE OFFSET JOINT)	1	
20	3B4-2512G-00	BOOT BAND (SMALL)	1	
21	28P-2512G-00	BOOT BAND (SMALL)	1	
22	3B4-2512J-00	SNAP RING	1	
23	3B4-2512H-00	CIRCLIP	1	
24	3B4-25182-00	CIRCLIP	1	
25	28P-2511H-00	BOOT BAND(DOUBLE OFFSET JOINT)	1	
26	93450-22119	CIRCLIP	1	
27	90179-20016	NUT	1	

Fig. 33 FRONT WHEEL 2



Ref. No.	Part No.	Description	Remarks
	28	1HP-F512A-00 CAP, WHEEL	1
<hr/>			
<hr/>			
<hr/>			
<hr/>			
<hr/>			
<hr/>			
<hr/>			
<hr/>			
<hr/>			
<hr/>			

Fig. 32 FRONT WHEEL

Ref. No.	Part No.	Description	Quantity	Remarks
1	2BG-F5180-00	WHEEL COMP.	1	
2	94108-12819	TIRE (AT25X8-12 MU19A**TL)	1	MAXXIS
3	93900-00813	VALVE, RIM (TR413)	1	MAXXIS
4	90179-10020	NUT	4	
5	3B4-25111-11	HUB, FRONT	1	
6	90114-10014	. BOLT, SERRATION	4	
7	2BG-F3501-10	STEERING KNUCKLE ASSY (LEFT)	1	
8	93305-00602	. BEARING	1	
9	99009-55500	. CIRCLIP	1	
10	3B4-23579-01	. BALL JOINT 2	1	
11	99009-30400	. CIRCLIP	1	
12	1HP-F514A-00	RING, WHEEL 1	1	
13	98902-06010	SCREW, BIND	3	
14	28P-2510J-01	DOUBLE OFF SET JOINT	1	
15	28P-2510F-01	BALL JOINT SET	1	
16	28P-2510H-01	BOOT SET(DOUBLE OFFSET JOINT)	1	
17	28P-2510G-00	BOOT SET (BALL JOINT)	1	
18	2BG-2518E-00	SHAFT	1	
19	3B4-2511H-00	BOOT BAND(DOUBLE OFFSET JOINT)	1	
20	3B4-2512G-00	BOOT BAND (SMALL)	1	
21	28P-2512G-00	BOOT BAND (SMALL)	1	
22	3B4-2512J-00	SNAP RING	1	
23	3B4-2512H-00	CIRCLIP	1	
24	3B4-25182-00	CIRCLIP	1	
25	28P-2511H-00	BOOT BAND(DOUBLE OFFSET JOINT)	1	
26	93450-22119	CIRCLIP	1	
27	90179-20016	NUT	1	

LEFT HAND SIDE

14	a, b, c, d, e, f	
15	h, i, j, k, l	
16	b, c, d, e, f	
17	h, i, j, k	
18	g	
19	d	
20	f	
21	h	
22	c	
23	k	
24	b	
25	j	

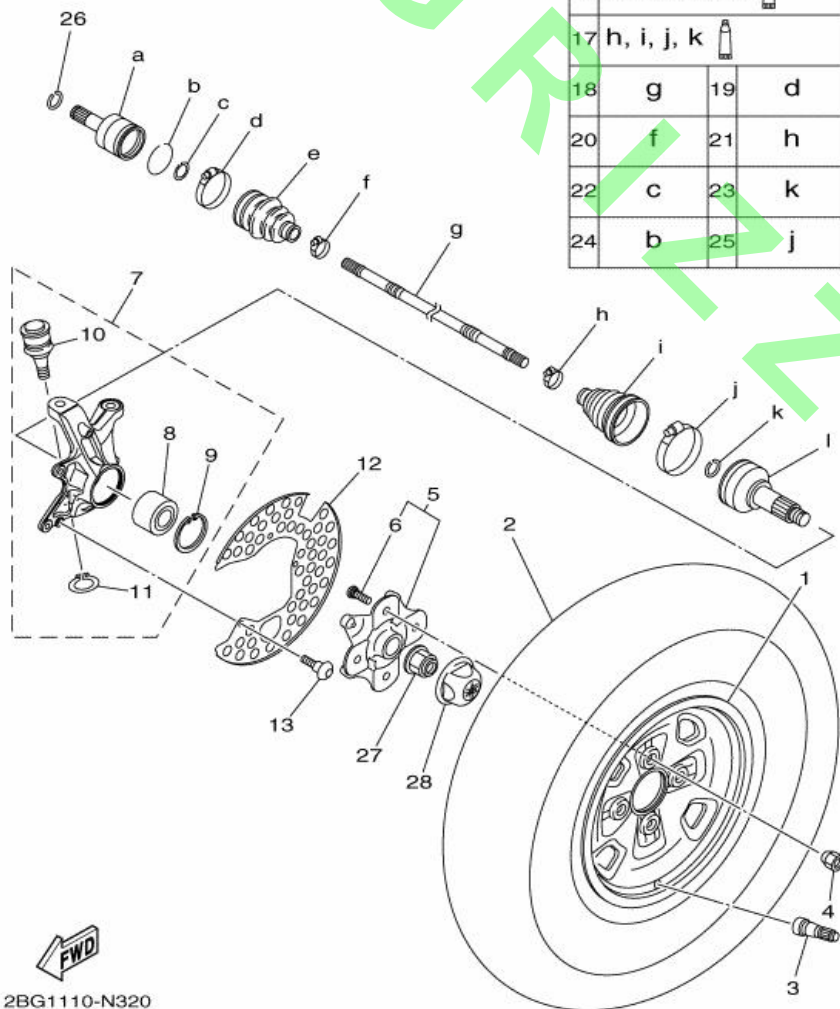
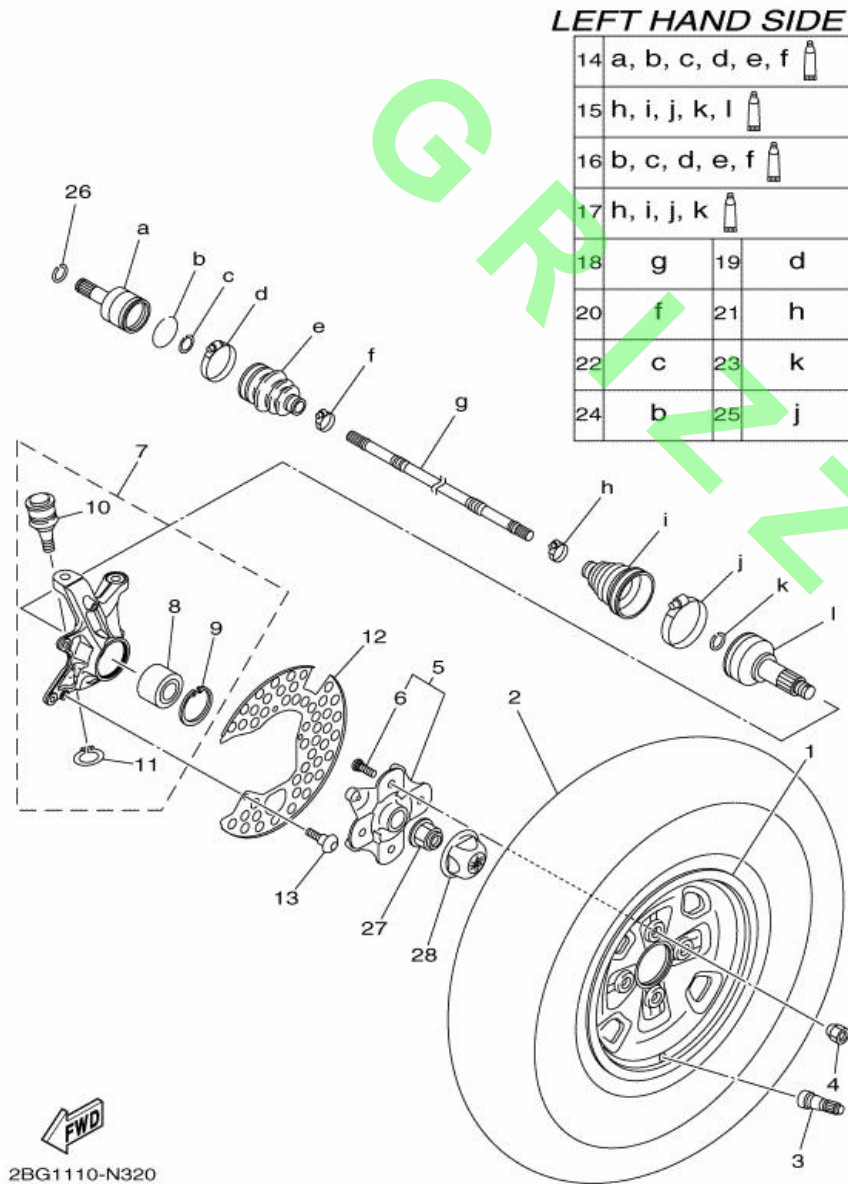
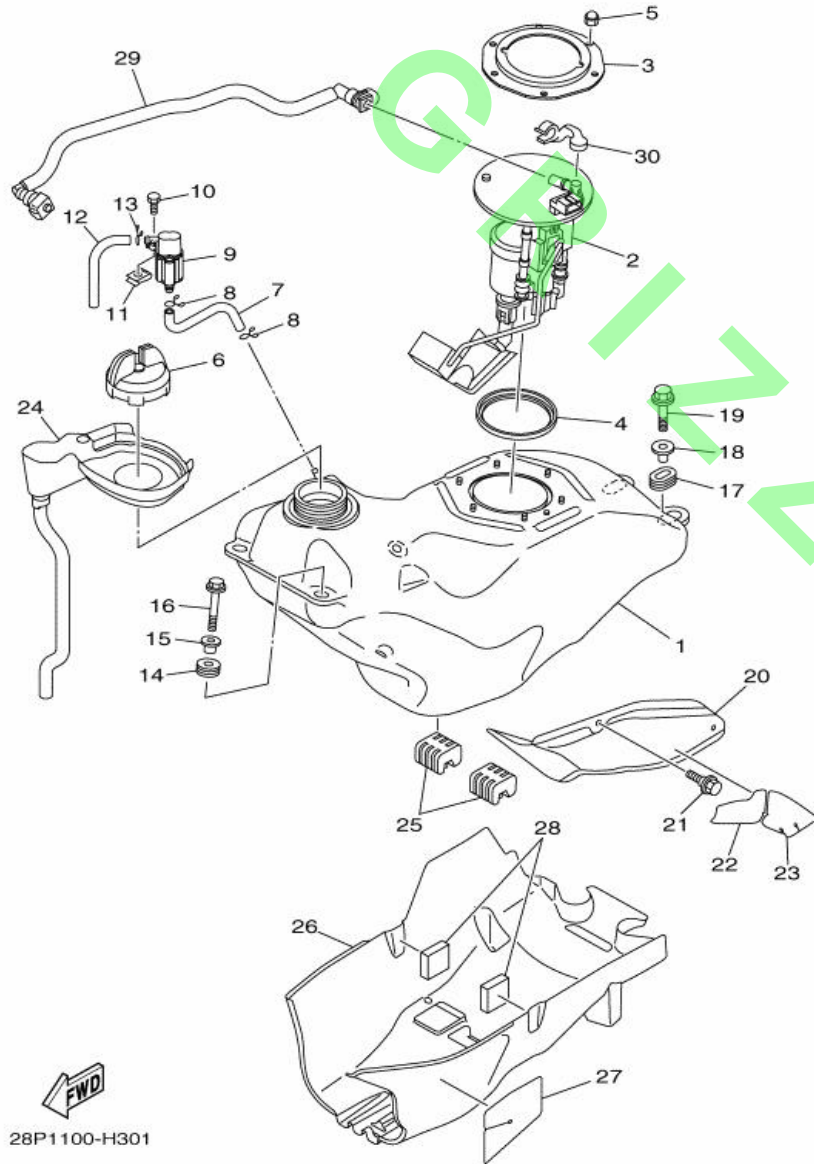


Fig. 32 FRONT WHEEL



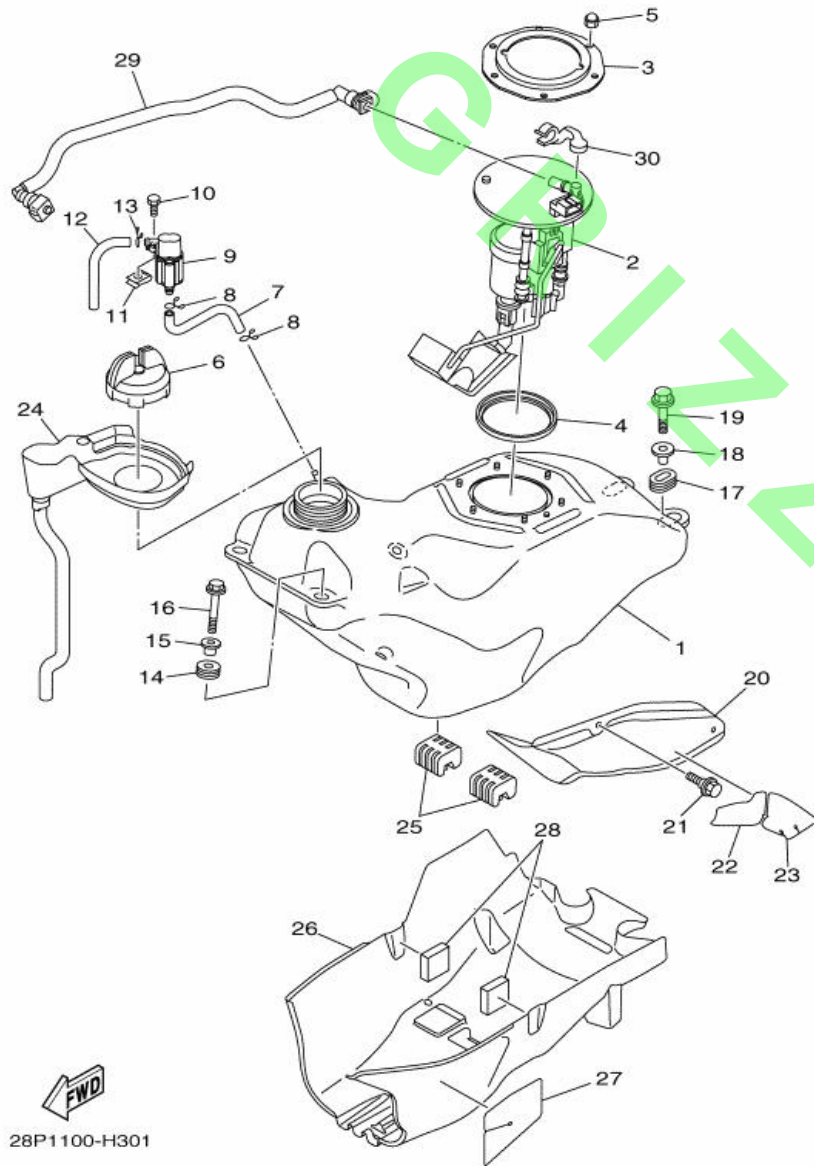
Ref. No.	Part No.	Description	Remarks
	28 1HP-F512A-00	CAP, WHEEL	1
<hr/>			
<hr/>			
<hr/>			
<hr/>			
<hr/>			
<hr/>			
<hr/>			
<hr/>			
<hr/>			

Fig. 30 FUEL TANK



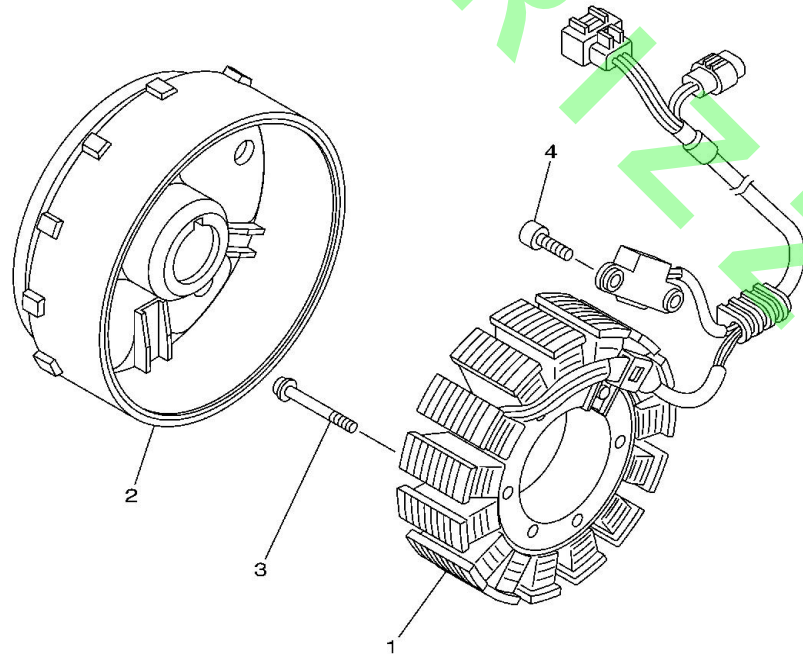
Ref. No.	Part No.	Description		Remarks
1	1HP-F4110-00	FUEL TANK COMP.	1	
2	3B4-13907-10	FUEL PUMP COMP.	1	
3	3B4-24491-00	BRACKET, FUEL PUMP	1	
4	1S3-24486-00	O-RING	1	
5	95302-06800	NUT, CROWN	6	
6	3B4-24610-10	CAP ASSY	1	
7	1HP-F4312-00	PIPE 2	1	
8	90467-09006	CLIP	2	
9	28P-24380-00	PIPE JOINT ASSY	1	
10	97002-06016	BOLT	1	
11	90183-06053	NUT, SPRING	1	
12	90445-09825	HOSE (L110)	1	
13	90467-09006	CLIP	1	
14	90480-18290	GROMMET	2	
15	90387-066J1	COLLAR	2	
16	95802-06030	BOLT, FLANGE	2	
17	90480-01400	GROMMET	2	
18	90387-07021	COLLAR	2	
19	95802-06030	BOLT, FLANGE	2	
20	1HP-F4129-00	COVER, SIDE 1	1	
21	90109-06172	BOLT	2	
22	1HP-F414J-00	DAMPER, PLATE 2	1	
23	1HP-F414K-00	DAMPER, PLATE 3	1	
24	3B4-2414F-00	COVER, FILLER COMP.	1	
25	1HP-F4181-00	DAMPER, LOCATING 1	2	
26	1HP-F4141-00	PROTECTOR, FUEL TANK	1	
27	1HP-F416G-00	INSULATOR, FUEL TANK 2	1	

Fig. 30 FUEL TANK



Ref. No.	Part No.	Description		Remarks
	28 3B4-24182-00	DAMPER, LOCATING 2	2	
	29 3B4-13971-10	PIPE, FUEL 1	1	
	30 90464-14004	CLAMP	1	

Fig. 43 GENERATOR

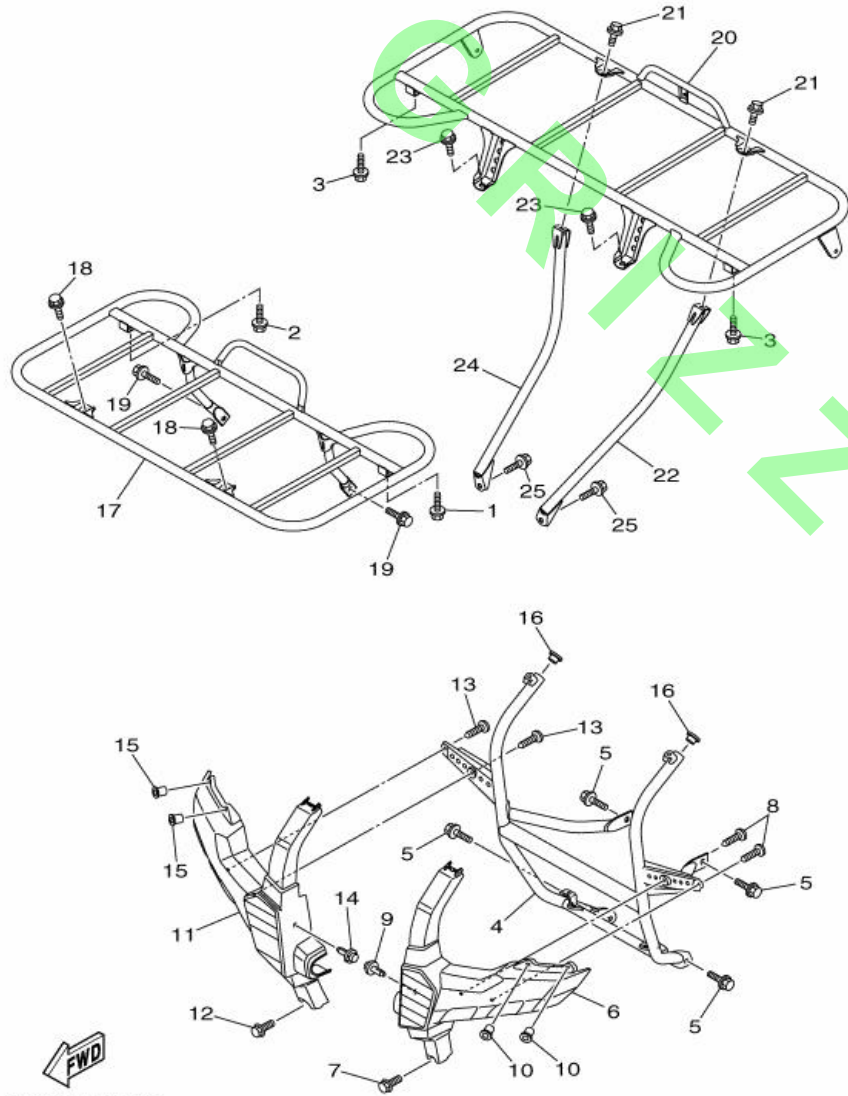


Ref. No.	Part No.	Description		Remarks
1	28P-81410-01	STATOR ASSY	1	
2	28P-81450-01	ROTOR ASSY	1	
3	92012-06030	BOLT, BUTTON HEAD	3	
4	91312-05014	BOLT	2	



3B41100-F430

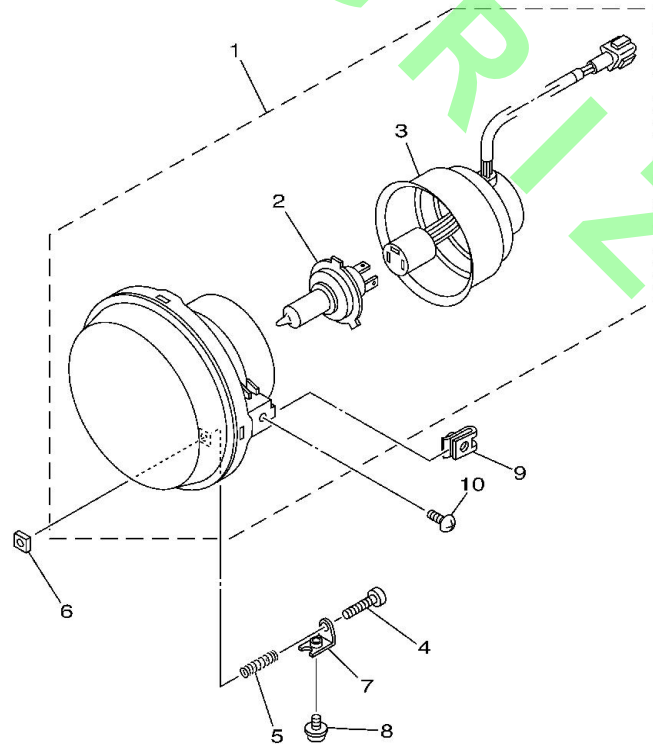
Fig. 42 GUARD



2BG2171-N420

Ref. No.	Part No.	Description		Remarks
	1 90119-06152	BOLT, WITH WASHER	1	
	2 90119-06152	BOLT, WITH WASHER	1	
	3 90119-06152	BOLT, WITH WASHER	2	
	4 1HP-F845N-00	BAR, CARRY FRONT	1	
	5 95812-08014	BOLT, FLANGE	4	
<hr/>				
	6 1HP-F842M-10	COVER 1	1	
	7 90105-06832	BOLT, FLANGE	1	
	8 90167-06800	SCREW, TAPPING	2	
	9 90269-07012	RIVET	1	
	10 90179-05523	NUT	2	
<hr/>				
	11 1HP-F842N-10	COVER 2	1	
	12 90105-06832	BOLT, FLANGE	1	
	13 90167-06800	SCREW, TAPPING	2	
	14 90269-07012	RIVET	1	
	15 90179-05523	NUT	2	
<hr/>				
	16 90338-18122	PLUG	2	
	17 2BG-F4841-00	CARRIER, FRONT	1	
	18 95812-08012	BOLT, FLANGE	2	
	19 90119-08118	BOLT, WITH WASHER	2	
	20 2BG-F4842-10	CARRIER, REAR	1	
<hr/>				
	21 95812-08014	BOLT, FLANGE	2	
	22 2BG-F482J-00	FRAME, CARRIER 1	1	
	23 90119-10044	BOLT, WITH WASHER	2	
	24 2BG-F482K-00	FRAME, CARRIER 2	1	
	25 90119-10044	BOLT, WITH WASHER	2	
<hr/>				

Fig. 46 HEADLIGHT

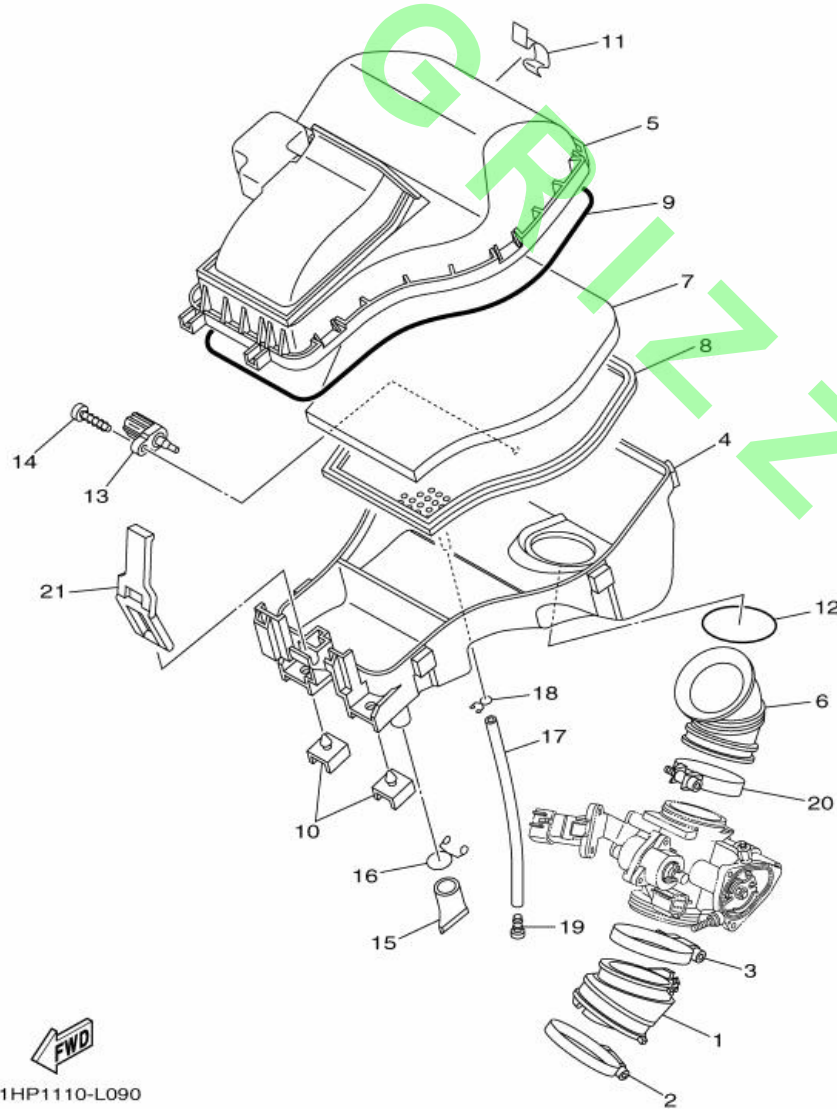


Ref. No.	Part No.	Description		Remarks
1	28P-84300-00	HEADLIGHT ASSY	2	
2	28P-84314-00	. BULB, HEADLIGHT (12V 35/35W)	1	
3	3B4-84340-00	. SOCKET CORD ASSY 1	1	
4	98502-03530	SCREW, PAN HEAD	2	
5	90501-05764	SPRING, COMPRESSION	2	
6	2GU-84334-00	NUT, ADJUSTING	2	
7	5GH-84703-10	BRACKET	2	
8	90159-05044	SCREW, WITH WASHER	2	
9	90183-05008	NUT, SPRING	4	
10	90154-05021	SCREW, BINDING	4	



3B41100-F460

Fig. 09 INTAKE




1HP1110-L090

Ref. No.	Part No.	Description		Remarks
	1 3B4-13586-00	JOINT, CARBURETOR 1	1	
	2 90450-72004	HOSE CLAMP ASSY	1	
	3 90450-72004	HOSE CLAMP ASSY	1	
	4 2BG-E4411-00	CASE, AIR CLEANER 1	1	
	5 3B4-14402-03	CAP ASSY, AIR CLEANER	1	
	6 3B4-14453-00	JOINT, AIR CLEANER 1	1	
	7 1HP-E4451-01	ELEMENT, AIR CLEANER	1	
	8 1HP-E4472-00	PLATE, ELEMENT	1	
	9 3B4-14457-00	SEAL	1	
	10 3B4-14409-00	DAMPER	2	
	11 3B4-14424-00	CLIP, CAP FITTING	6	
	12 1HP-E4462-00	SEAL	1	
	13 8FP-85886-00	SENSOR, AIR TEMPERATURE	1	
	14 97702-50520	SCREW, TAPPING	1	
	15 59V-14457-00	SEAL	1	
	16 90467-220A1	CLIP	1	
	17 91A20-07020	TUBE, FLEXIBLE VINYL (L200)	1	
	18 90467-100A1	CLIP	1	
	19 90338-08174	PLUG	1	
	20 90450-59006	HOSE CLAMP ASSY	1	
	21 3B4-14455-00	BAND	1	

Fig. 52 MAINTENANCE PARTS KIT

Ref. No.	Part No.	Description		Remarks
1	17S-WB024-00	WHEEL BEARING KIT	2	AP
2	93305-00602	. BEARING	2	

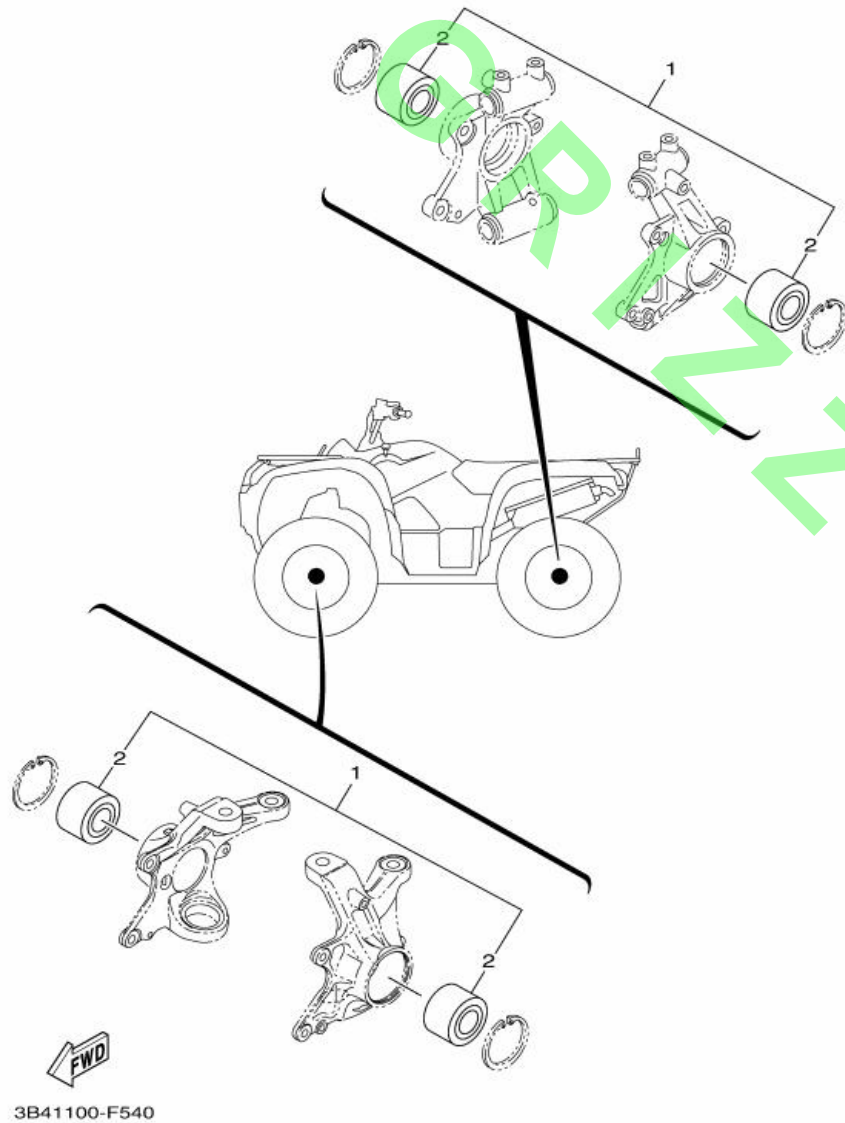
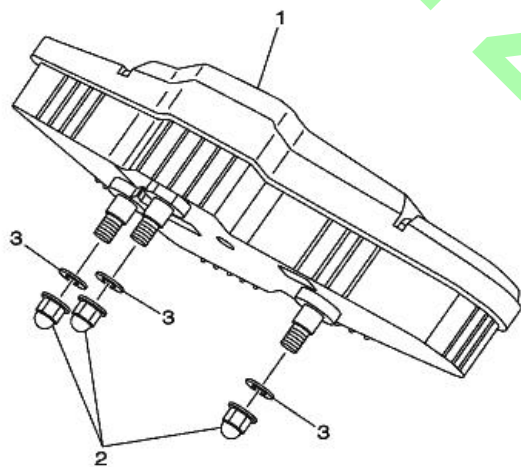


Fig. 45 METER

Ref. No.	Part No.	Description		Remarks
1	1HP-83500-00	METER ASSY	1	
2	95302-05800	NUT, CROWN	3	
3	90201-05039	WASHER, PLATE	3	

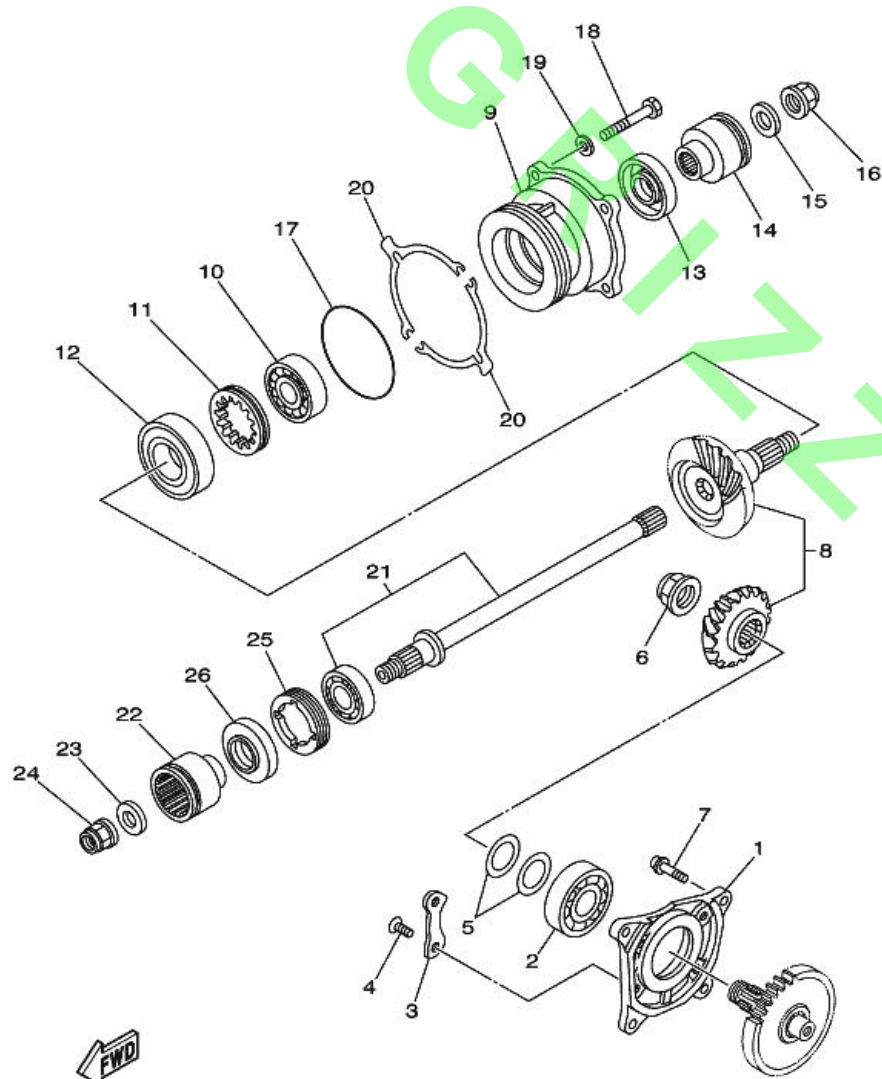


GRIZZLYLINK.RU



3B49100-G450

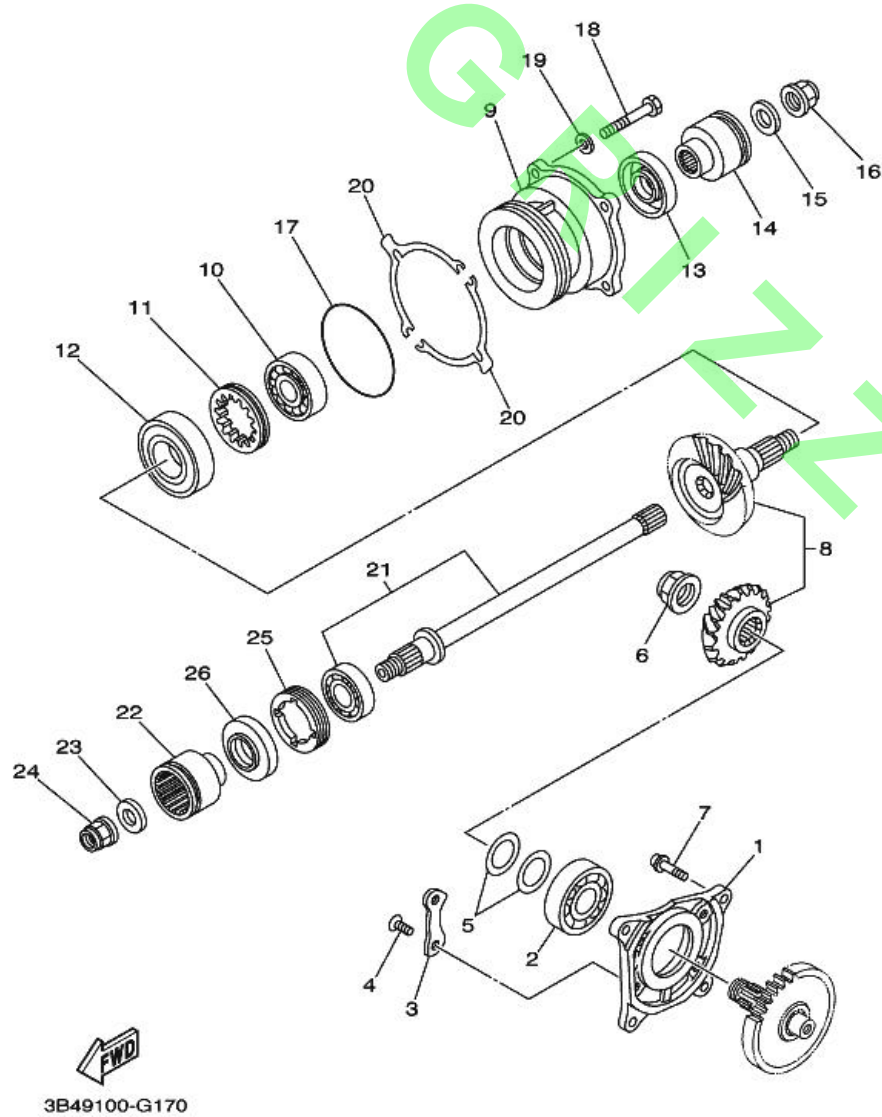
Fig. 17 MIDDLE DRIVE GEAR



3B49100-G170

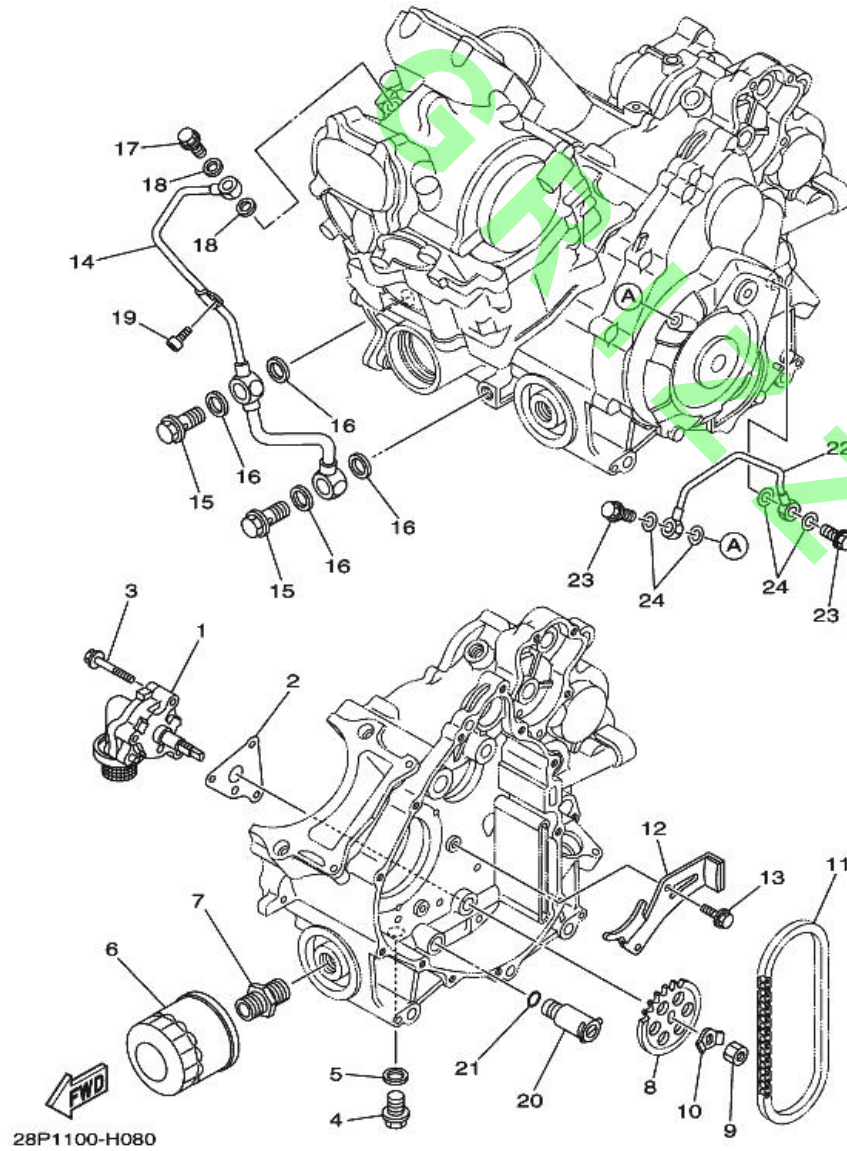
Ref. No.	Part No.	Description		Remarks
1	3B4-17521-00	HOUSING, BEARING	1	
2	93306-30537	BEARING	1	
3	11H-15383-02	PLATE, BEARING COVER	2	
4	90149-08013	SCREW	4	
5	5KM-17531-50	SHIM, PINION (0.5T)	2	UR
	5KM-17531-60	SHIM, PINION (0.55T)	2	UR
	5KM-17531-70	SHIM, PINION (0.6T)	2	UR
	5KM-17531-80	SHIM, PINION (0.7T)	2	UR
	5KM-17531-90	SHIM, PINION (0.8T)	2	UR
	5KM-17531-A0	SHIM, PINION (0.9T)	2	UR
	5KM-17531-B0	SHIM, PINION (1.0T)	2	UR
6	90179-22013	NUT	1	
7	90110-08091	BOLT, HEXAGON SOCKET HEAD	4	
8	3B4-17530-01	PINION SET	1	
9	3B4-17551-00	HOUSING, BEARING	1	
10	93306-37206	BEARING	1	
11	90179-60001	NUT	1	
12	93306-20654	BEARING	1	
13	93102-30010	OIL SEAL	1	
14	3B4-17832-10	COUPLING	1	
15	90201-16021	WASHER, PLATE	1	
16	90179-16006	NUT	1	
17	93210-78544	O-RING	1	
18	97022-08030	BOLT, HEXAGON	4	
19	92902-08600	WASHER, PLATE	4	
20	3B4-17531-00	SHIM, PINION (0.1T)	2	UR
	3B4-17531-10	SHIM, PINION (0.15T)	2	UR

Fig. 17 MIDDLE DRIVE GEAR



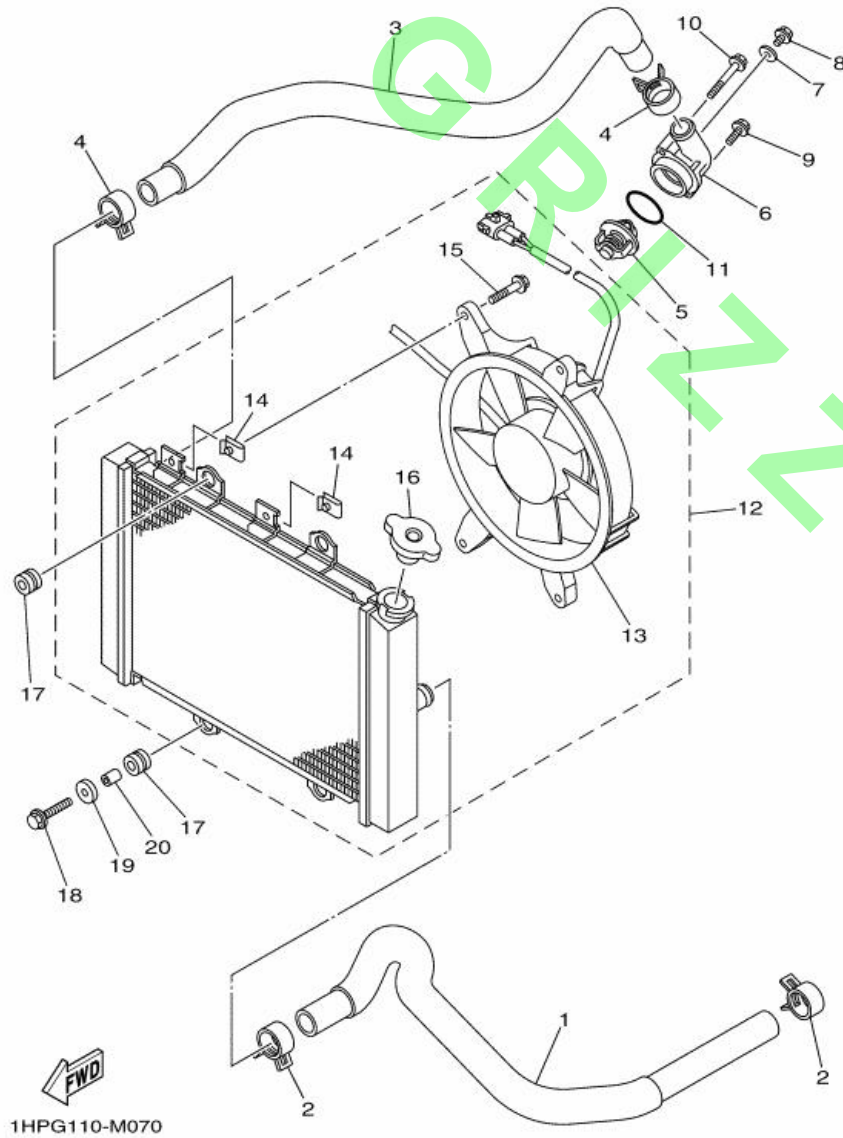
Ref. No.	Part No.	Description		Remarks
	3B4-17531-20	SHIM, PINION (0.2T)	2	UR
	3B4-17531-30	SHIM, PINION (0.3T)	2	UR
	3B4-17531-40	SHIM, PINION (0.4T)	2	UR
	3B4-17531-50	SHIM, PINION (0.5T)	2	UR
	3B4-17531-60	SHIM, PINION (0.6T)	2	UR
<hr/>				
21	3B4-1755A-00	MIDDLE DRIVEN SHAFT ASSY	1	
22	3B4-17832-10	COUPLING	1	
23	90201-16021	WASHER, PLATE	1	
24	90179-16006	NUT	1	
25	90179-55660	NUT	1	
<hr/>				
26	93102-30010	OIL SEAL	1	
<hr/>				
<hr/>				
<hr/>				
<hr/>				

Fig. 08 OIL PUMP



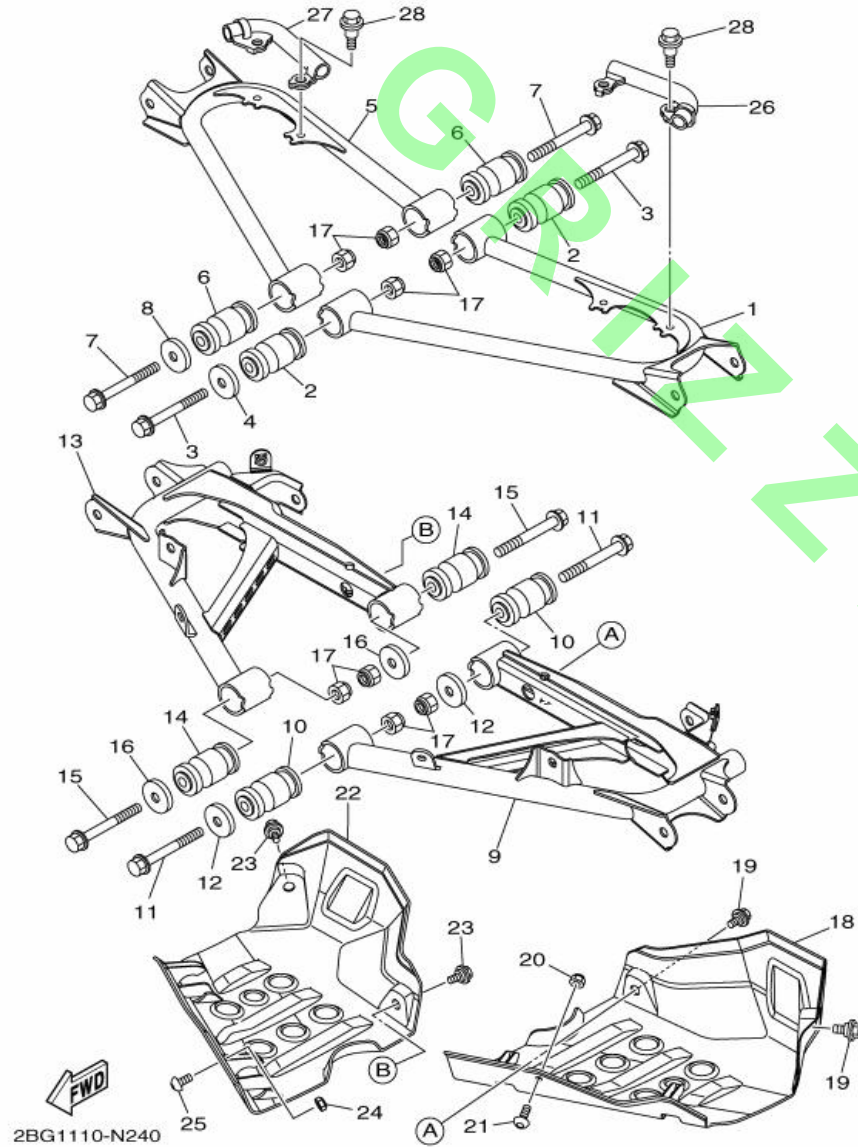
Ref. No.	Part No.	Description	Quantity	Remarks
	1 3B4-13300-00	OIL PUMP ASSY	1	
	2 3B4-13329-00	GASKET, PUMP COVER	1	
	3 95022-06040	BOLT, FLANGE	3	
	4 90340-14132	PLUG, STRAIGHT SCREW	1	
	5 214-11198-01	GASKET	1	
	6 5GH-13440-50	ELEMENT ASSY, OIL CLEANER	1	
	7 90401-20008	BOLT, UNION	1	
	8 3B4-13355-00	SPROCKET, DRIVEN	1	
	9 95312-10600	NUT	1	
	10 90215-10008	WASHER, LOCK	1	
	11 94580-31074	CHAIN (DID 25HT)	1	
	12 3B4-12221-00	GUIDE, STOPPER 3	1	
	13 90105-06082	BOLT, FLANGE	2	
	14 3B4-13171-00	PIPE, DELIVERY 2	1	
	15 90401-14118	BOLT, UNION	2	
	16 90430-14043	GASKET	4	
	17 90401-10024	BOLT, UNION	1	
	18 90430-10188	GASKET	2	
	19 91312-06012	BOLT	1	
	20 25G-13490-00	RELIEF VALVE ASSY	1	
	21 93210-10096	O-RING	1	
	22 28P-13161-00	PIPE, DELIVERY 1	1	
	23 90401-08006	BOLT, UNION	2	
	24 90430-08119	GASKET	4	

Fig. 07 RADIATOR & HOSE



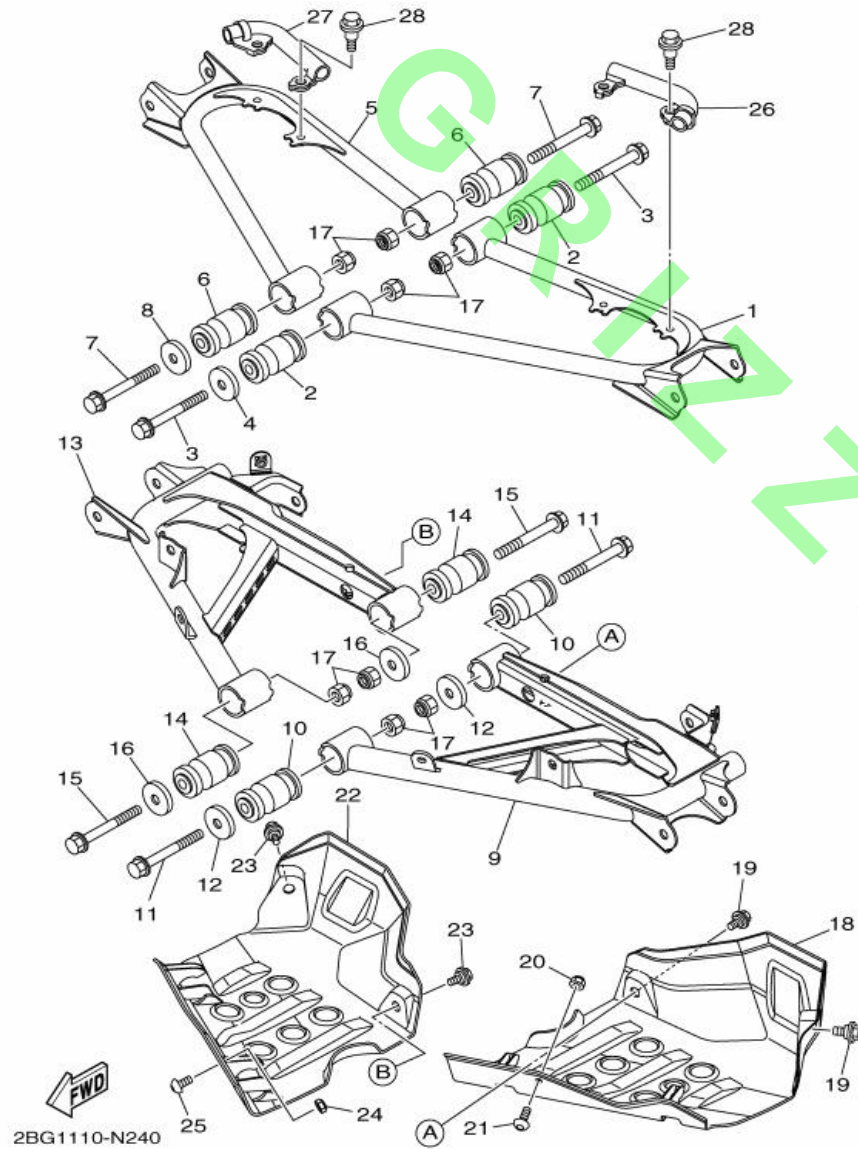
Ref. No.	Part No.	Description		Remarks
1	1HP-E2576-00	HOSE 1	1	
2	90467-26189	CLIP	2	
3	1HP-E2578-00	HOSE 3	1	
4	90467-26189	CLIP	2	
5	5VK-12410-00	THERMOSTAT ASSY	1	
6	1S3-12413-00	COVER, THERMOSTAT	1	
7	90430-06014	GASKET	1	
8	95022-06010	BOLT, FLANGE	1	
9	95022-06020	BOLT, FLANGE	1	
10	95022-06045	BOLT, FLANGE	1	
11	93210-41042	O-RING	1	
12	1HP-E2460-00	RADIATOR ASSY	1	
13	1HP-E2405-00	. BLOWER ASSY	1	
14	1HP-E2535-00	. NUT SPRING	4	
15	1HP-E2675-00	. BOLT, BLOWER HOLDING	4	
16	1HP-E2462-00	. CAP, RADIATOR	1	
17	90480-15235	GROMMET	4	
18	95812-06020	BOLT, FLANGE	2	
19	90209-06012	WASHER	2	
20	90387-06113	COLLAR	2	

Fig. 24 REAR ARM



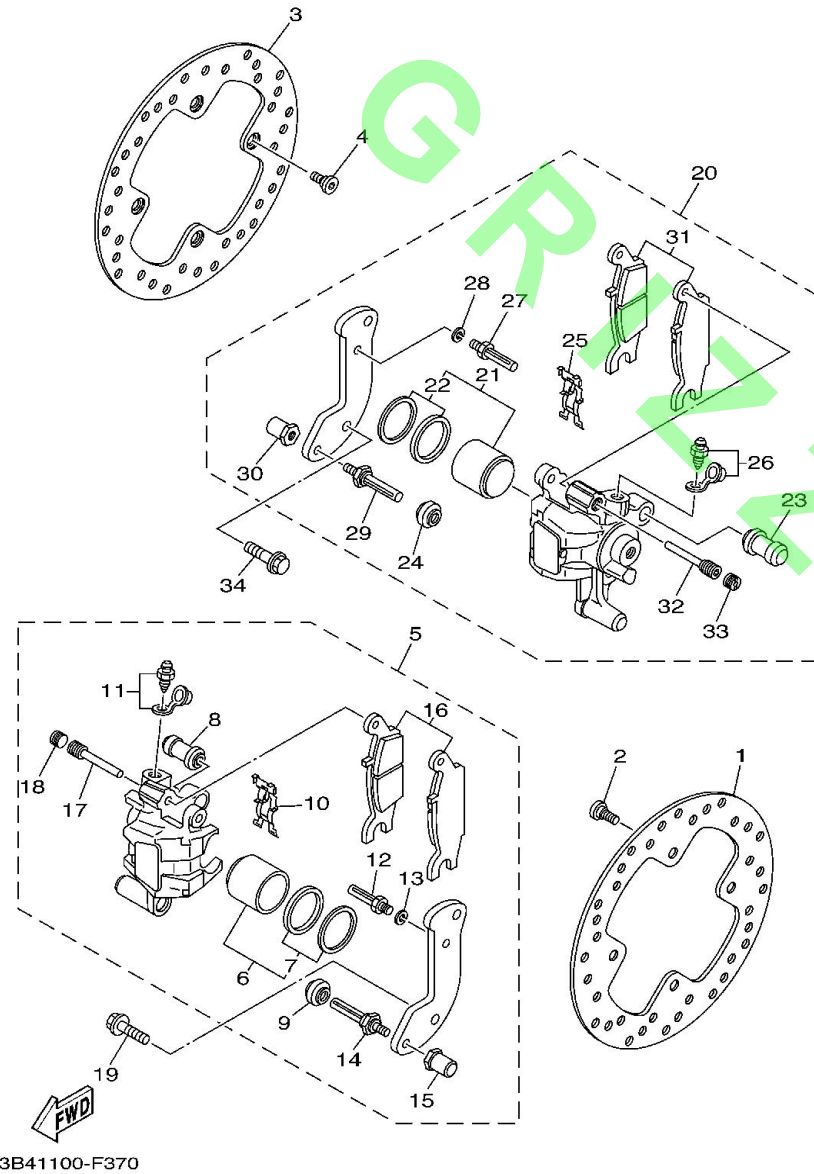
Ref. No.	Part No.	Description		Remarks
	1	2BG-F2171-00	ARM, REAR 1	1
	2	1HP-F3526-00	BUSH	2
	3	90105-10222	BOLT, FLANGE	2
	4	5KM-22149-10	WASHER	1
	5	2BG-F2172-00	ARM, REAR 2	1
	6	1HP-F3526-00	BUSH	2
	7	90105-10222	BOLT, FLANGE	2
	8	5KM-22149-10	WASHER	1
	9	2BG-F217M-01	ARM 1	1
	10	1HP-F3526-00	BUSH	2
	11	90105-10222	BOLT, FLANGE	2
	12	5KM-22149-10	WASHER	2
	13	2BG-F217N-01	ARM 2	1
	14	1HP-F3526-00	BUSH	2
	15	90105-10222	BOLT, FLANGE	2
	16	5KM-22149-10	WASHER	2
	17	90185-10012	NUT, SELF-LOCKING	8
	18	2BG-F2128-01	COVER, THRUST 1	1
	19	90109-06264	BOLT	2
	20	95702-06300	NUT, NYLON	1
	21	90111-06814	BOLT, HEX. SOCKET BUTTON	1
	22	2BG-F2129-01	COVER, THRUST 2	1
	23	90109-06264	BOLT	2
	24	95702-06300	NUT, NYLON	1
	25	90111-06814	BOLT, HEX. SOCKET BUTTON	1
	26	1HP-F315H-00	PROTECTOR 1	1
	27	1HP-F315J-00	PROTECTOR 2	1

Fig. 24 REAR ARM



Ref. No.	Part No.	Description	Remarks
	28 90109-06840	BOLT	4
<hr/>			
<hr/>			
<hr/>			
<hr/>			
<hr/>			
<hr/>			
<hr/>			
<hr/>			
<hr/>			
<hr/>			

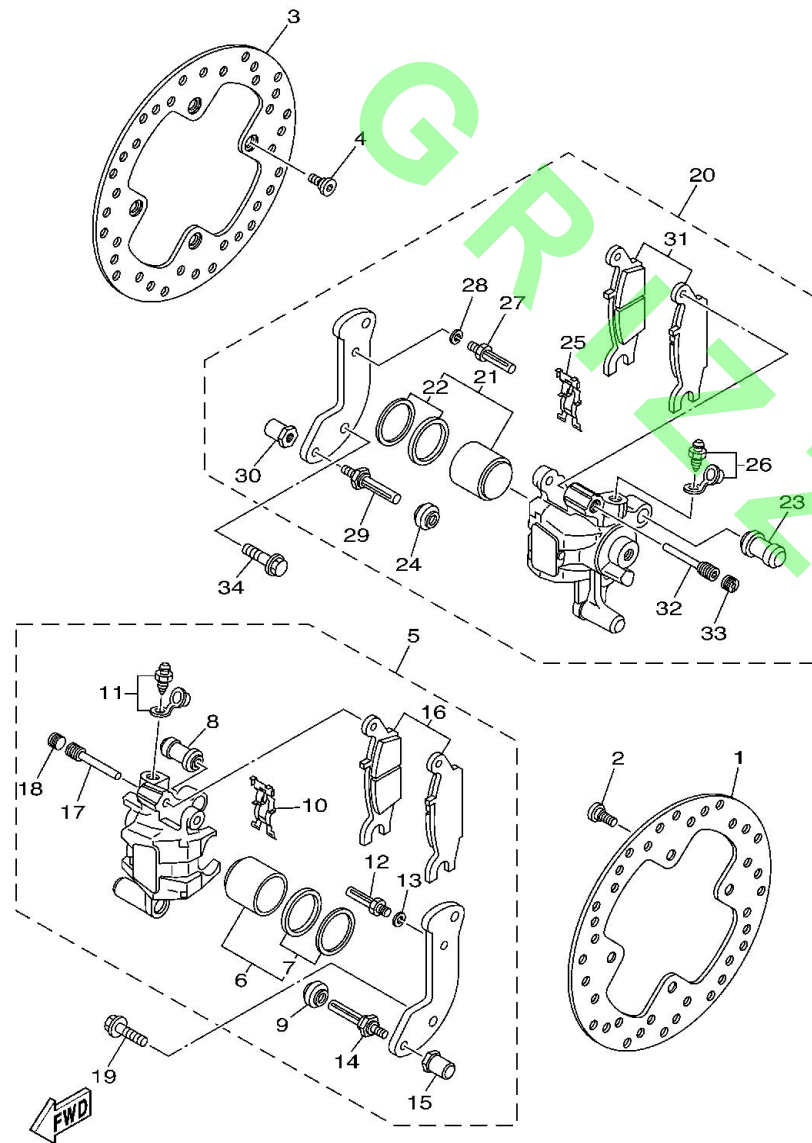
Fig. 37 REAR BRAKE CALIPER



3B41100-F370

Ref. No.	Part No.	Description		Remarks
	1	1HP-F582V-00	DISC, REAR BRAKE 1	1
	2	90109-08101	BOLT	4
	3	1HP-F582V-00	DISC, REAR BRAKE 1	1
	4	90109-08101	BOLT	4
	5	3B4-2580V-11	CALIPER ASSY, REAR 1	1
<hr/>				
	6	3B4-W0057-20	. PISTON ASSY, CALIPER	1
	7	3B4-W0047-00	. . CALIPER SEAL KIT	1
	8	1UY-25937-51	. BOOT 2	1
	9	3JD-25917-00	. BOOT, CALIPER	1
	10	5DH-25919-50	. SUPPORT, PAD	1
<hr/>				
	11	1UY-W0048-50	. BLEED SCREW KIT	1
	12	1UY-25926-51	. BOLT	1
	13	1UY-25938-51	. WASHER, SPRING	1
	14	3JD-25926-00	. BOLT	1
	15	3JD-25961-00	. NUT	1
<hr/>				
	16	3B4-W0046-00	. BRAKE PAD KIT 2	1
	17	3GD-25933-00	. PIN, PAD	1
	18	5DH-25916-00	. PLUG	1
	19	90105-08161	BOLT, FLANGE	2
	20	3B4-2580W-11	CALIPER ASSY, REAR 2	1
<hr/>				
	21	3B4-W0057-20	. PISTON ASSY, CALIPER	1
	22	3B4-W0047-00	. . CALIPER SEAL KIT	1
	23	1UY-25937-51	. BOOT 2	1
	24	3JD-25917-00	. BOOT, CALIPER	1
	25	5DH-25919-50	. SUPPORT, PAD	1
<hr/>				
	26	1UY-W0048-50	. BLEED SCREW KIT	1
	27	1UY-25926-51	. BOLT	1

Fig. 37 REAR BRAKE CALIPER

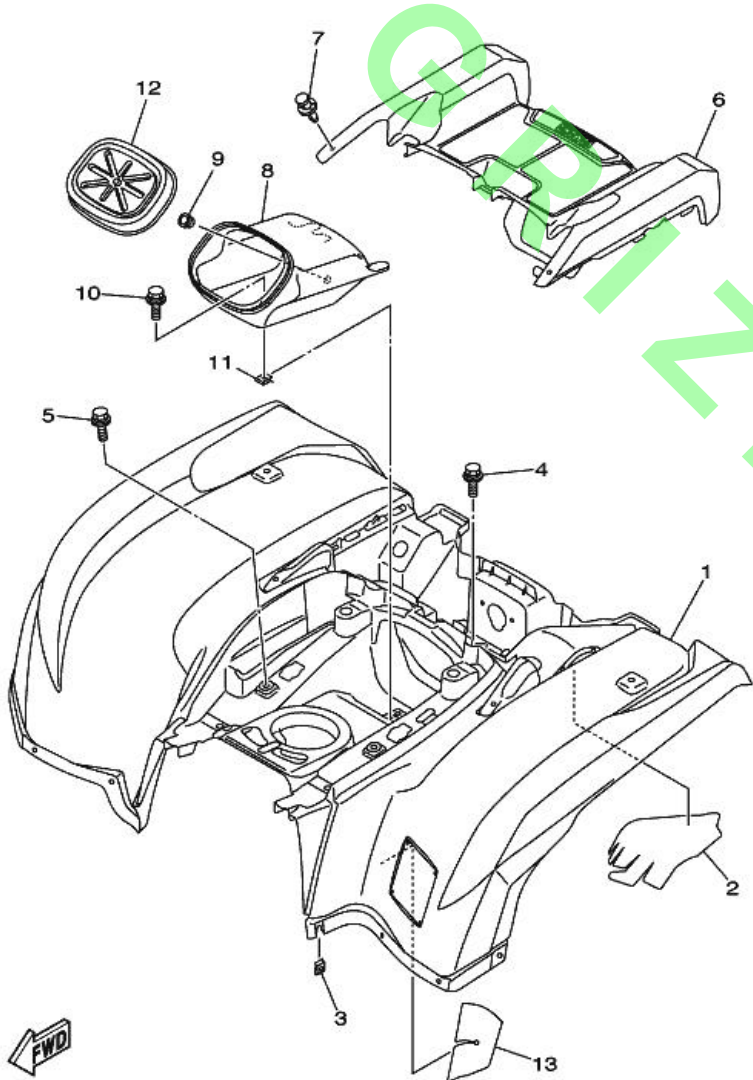


3B41100-F370

Ref. No.	Part No.	Description		Remarks
	28 1UY-25938-51	. WASHER, SPRING	1	
	29 3JD-25926-00	. BOLT	1	
	30 3JD-25961-00	. NUT	1	
	31 3B4-W0046-10	. BRAKE PAD KIT 2	1	
	32 3GD-25933-00	. PIN, PAD	1	
	33 5DH-25916-00	. PLUG	1	
	34 90105-08161	BOLT, FLANGE	2	

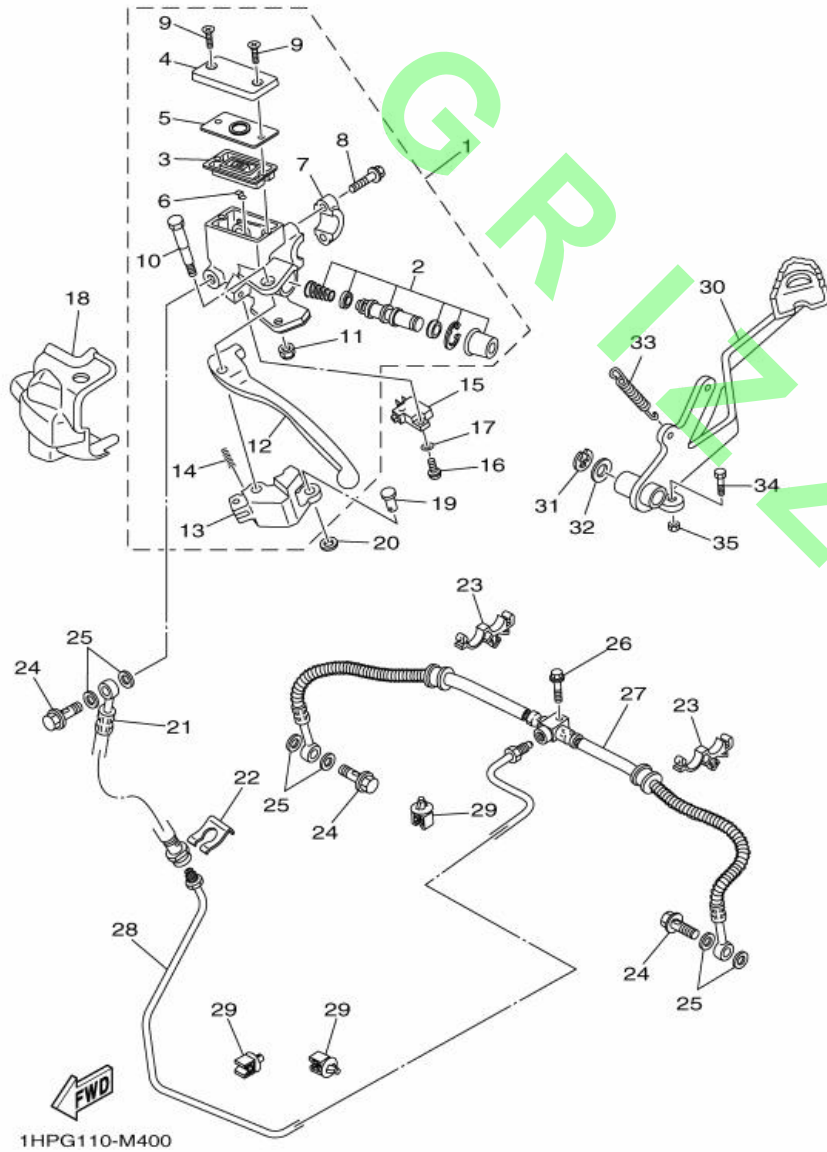
Fig. 22 REAR FENDER

Ref. No.	Part No.	Description	Remarks
1	1HP-F1600-70	REAR FENDER ASSY.	1 UR FOR PDG
2	3B4-21652-01	PROTECTOR	1
3	90183-06053	NUT, SPRING	1
4	90119-06152	BOLT, WITH WASHER	2
5	90119-06152	BOLT, WITH WASHER	2
6	1HP-F1651-00	COVER, REAR FENDER	1
7	90269-07010	RIVET	2
8	1HP-F160E-00	BOX	1
9	90338-09130	PLUG	1
10	90119-06152	BOLT, WITH WASHER	1
11	90183-06053	NUT, SPRING	1
12	1HP-F160F-00	LID	1
13	1HP-F1669-00	SEAL	1



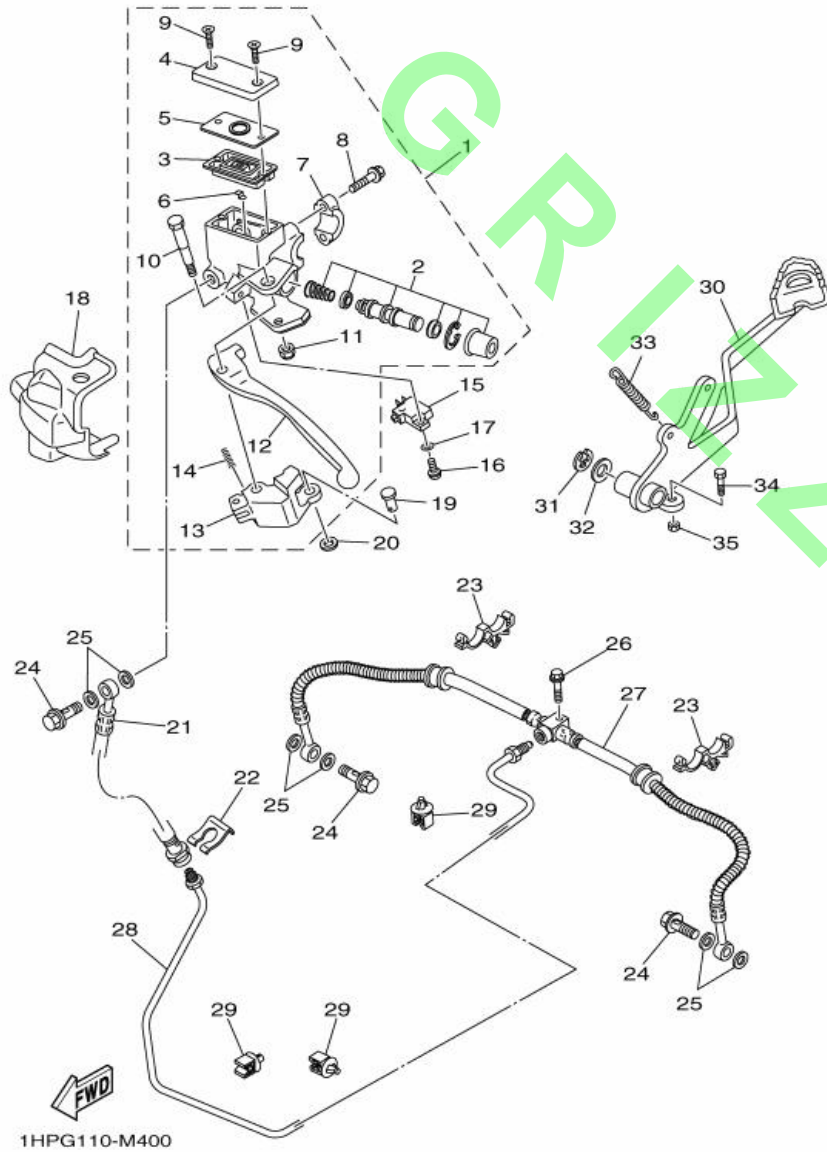

3B49100-G220

Fig. 40 REAR MASTER CYLINDER



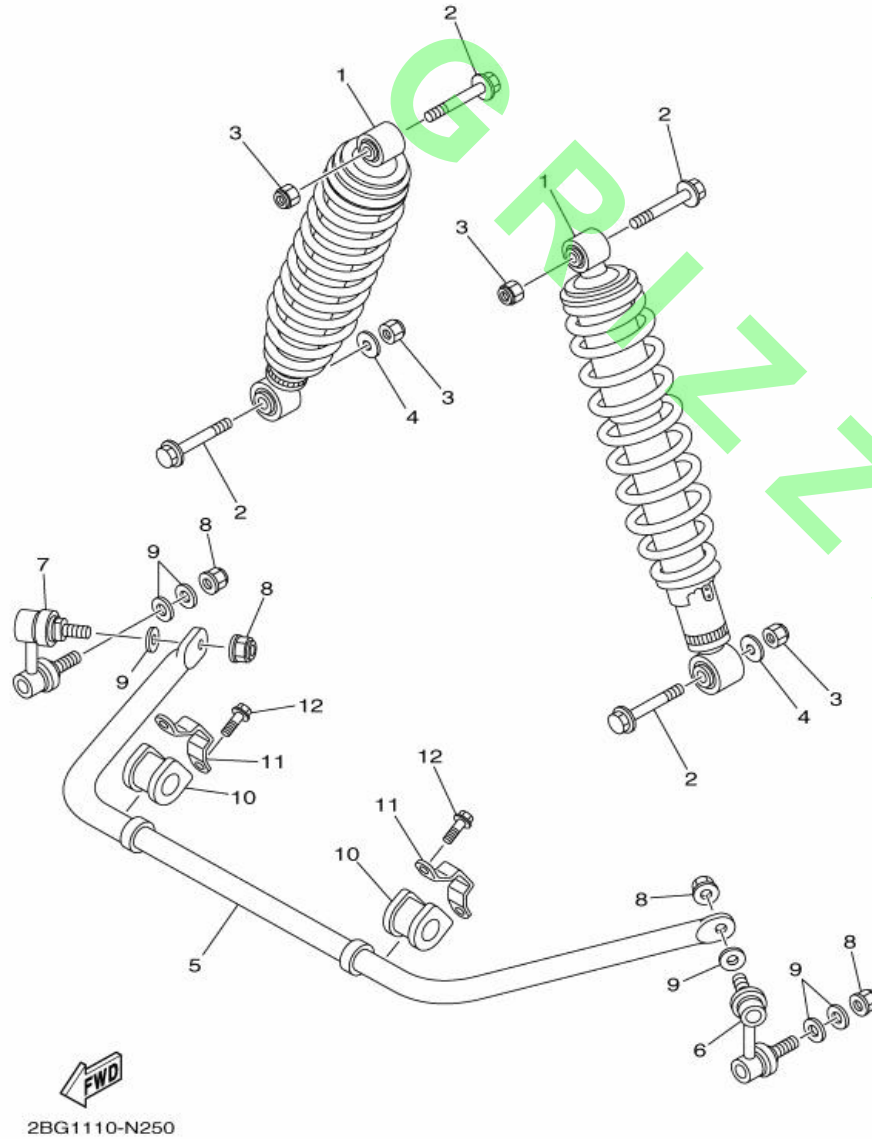
Ref. No.	Part No.	Description		Remarks
	1 1HP-2583V-00	RR. MASTER CYLINDER ASSY.	1	
	2 1PE-25807-00	. CYLINDER KIT, MASTER	1	
	3 1HP-25854-00	. DIAPHRAGM, RESERVOIR	1	
	4 1HP-25852-00	. CAP, RESERVOIR	1	
	5 1HP-2585B-00	. PLATE, DIAPHRAGM	1	
	6 1HP-25889-00	. SEPARATOR	1	
	7 1HP-25867-00	. BRACKET, MASTER CYLINDER	1	
	8 1HP-26332-00	. BOLT	2	
	9 98780-04012	. SCREW, FLAT HEAD	2	
	10 1HP-2589F-00	. BOLT, LEVER	1	
	11 1HP-26294-00	. NUT 1	1	
	12 1HP-83912-00	. LEVER 1	1	
	13 1HP-26168-00	. KNOCKER	1	
	14 1HP-25865-00	. SPRING, SEAT	1	
	15 1HP-82530-01	STOP SWITCH ASSY	1	
	16 98502-04012	SCREW, PAN HEAD	1	
	17 92902-04600	WASHER, PLATE	1	
	18 3B4-26372-00	COVER, HANDLE LEVER 1	1	
	19 90240-08013	PIN, CLEVIS	1	
	20 92902-08600	WASHER, PLATE	1	
	21 1HP-F5872-00	HOSE, BRAKE 1	1	
	22 2GU-25866-00	CIRCLIP	1	
	23 90464-16006	CLAMP	2	
	24 90401-10015	BOLT, UNION	3	
	25 90201-10118	WASHER, PLATE	6	
	26 95812-06025	BOLT, FLANGE	1	
	27 2BG-F5874-00	HOSE, BRAKE	1	

Fig. 40 REAR MASTER CYLINDER



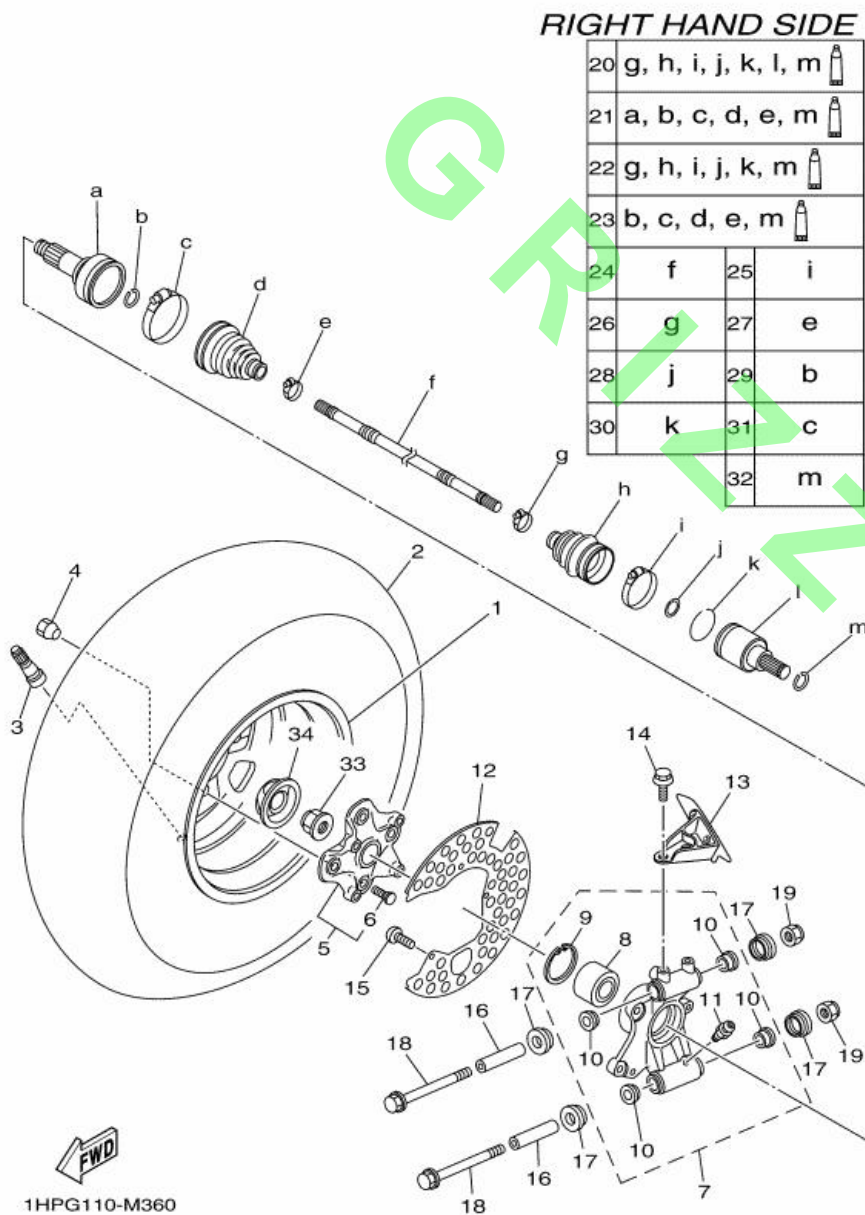
Ref. No.	Part No.	Description		Remarks
	28	1HP-F5882-00	PIPE, BRAKE 2	1
	29	5KM-81677-00	CLAMP 1	4
	30	1HP-F7211-00	PEDAL, BRAKE	1
	31	99001-10600	CIRCLIP	1
	32	90201-14023	WASHER, PLATE	1
	33	90506-20014	SPRING, TENSION	1
	34	97022-06014	BOLT, HEXAGON	1
	35	95302-06600	NUT	1

Fig. 25 REAR SUSPENSION



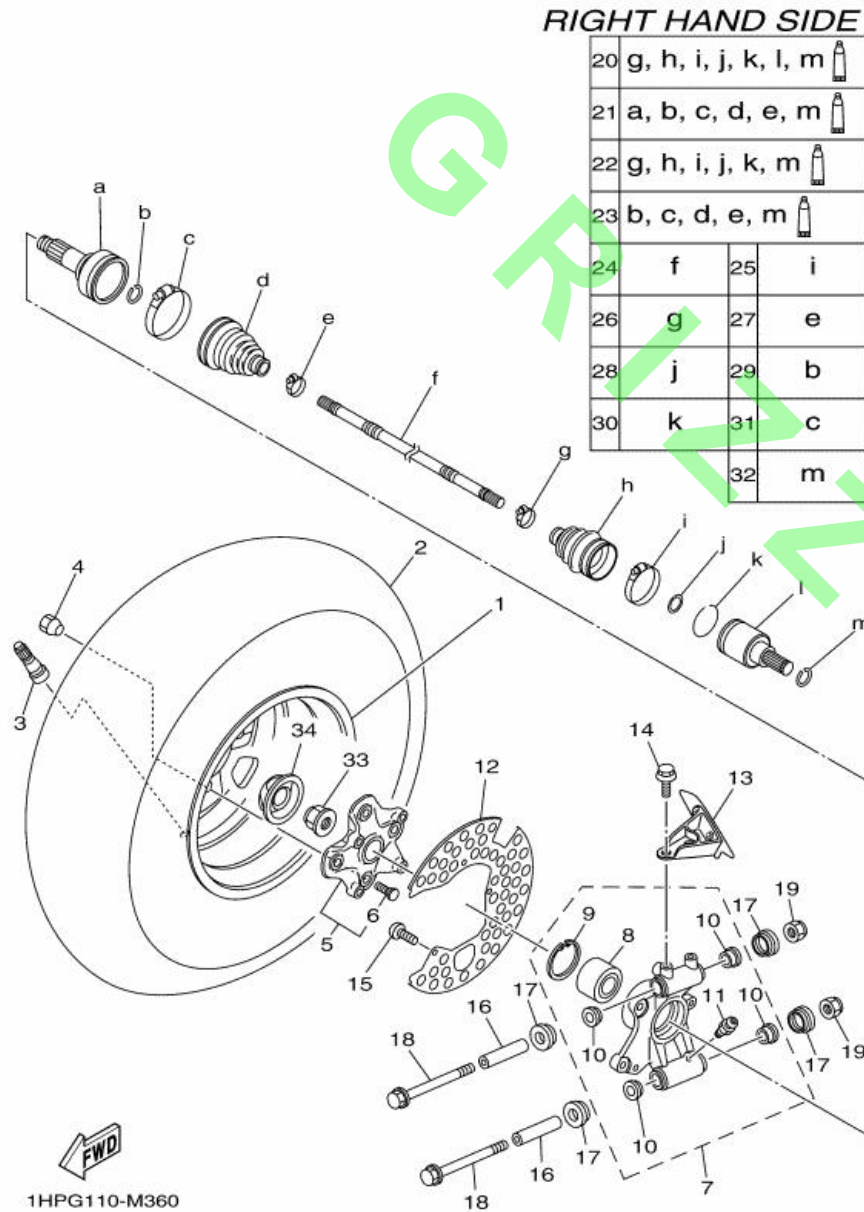
Ref. No.	Part No.	Description	Quantity	Remarks
	1	2BG-F2210-00	2	SHOCK ABSORBER ASSY, REAR
	2	90105-10131	4	BOLT, FLANGE
	3	90185-10012	4	NUT, SELF-LOCKING
	4	90201-10035	2	WASHER, PLATE
	5	1HP-G7491-00	1	BAR, STABILIZER
	6	16B-2385L-10	1	JOINT, STABILIZER 1
	7	16B-2385M-10	1	JOINT, STABILIZER 2
	8	95602-10200	4	NUT, U FLANGE
	9	90201-10035	6	WASHER, PLATE
	10	1HP-F386G-00	2	BUSH, STABILIZER FRONT
	11	1HP-F386H-00	2	COVER, STABILIZER FRONT
	12	95812-08014	4	BOLT, FLANGE

Fig. 36 REAR WHEEL 2



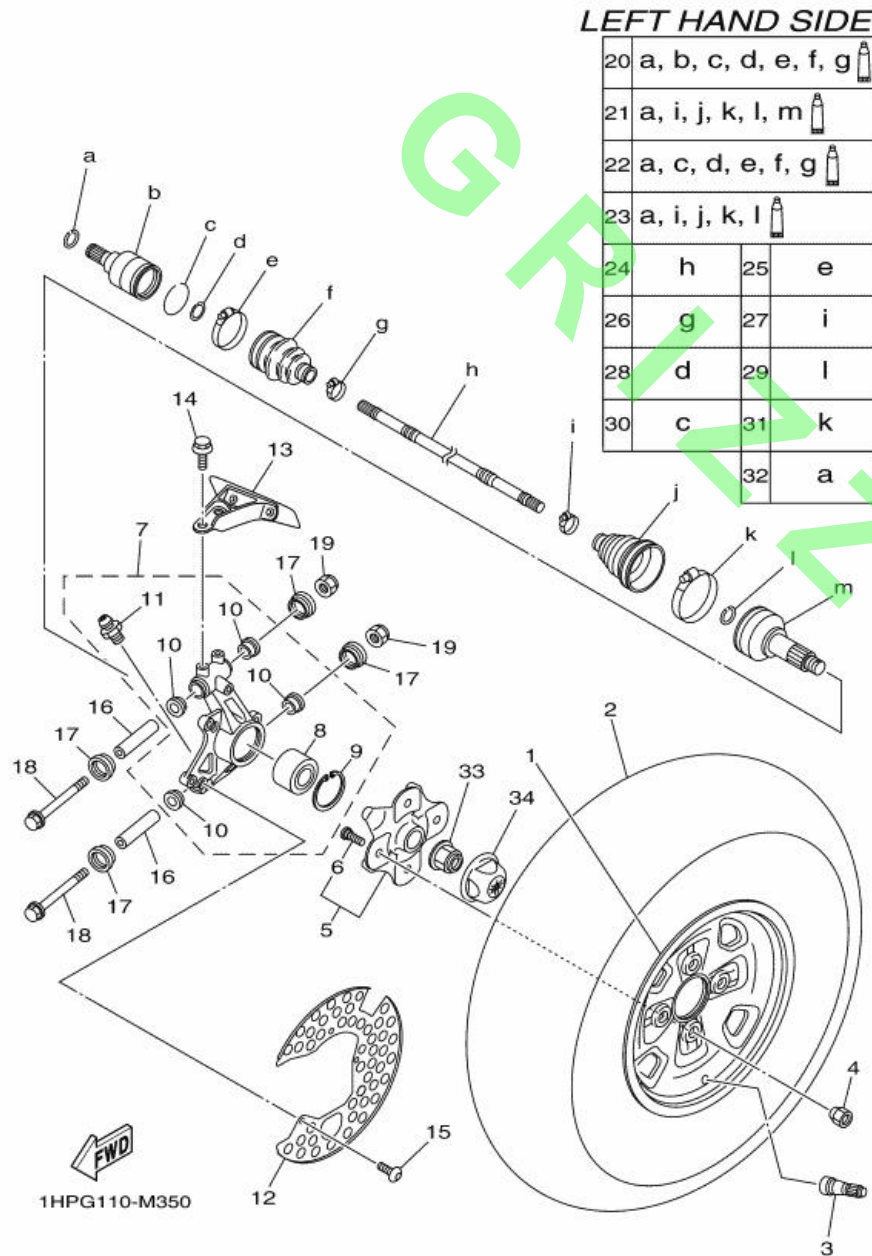
Ref. No.	Part No.	Description		Remarks
1	2BG-F5390-00	REAR WHEEL COMP.	1	
2	94110-12816	TIRE (AT25X10-12 MU20**TL)	1	MAXXIS
3	93900-00813	VALVE, RIM (TR413)	1	MAXXIS
4	90179-10020	NUT	4	
5	3B4-25111-11	HUB, FRONT	1	
6	90114-10014	. BOLT, SERRATION	4	
7	2BG-F532F-00	REAR KNUCKLE ASSY.,2	1	
8	93305-00602	. BEARING	1	
9	99009-55500	. CIRCLIP	1	
10	90381-17067	. BUSH, SOLID	4	
11	93700-06004	. NIPPLE, GREASE	2	
12	1HP-F514A-00	RING, WHEEL 1	1	
13	1HP-F539G-00	PLATE 2	1	
14	90109-06840	BOLT	2	
15	98902-06010	SCREW, BIND	3	
16	5KM-23448-00	SPACER	2	
17	2NL-23517-00	COVER, THRUST 1	4	
18	90105-10212	BOLT, FLANGE	2	
19	90185-10012	NUT, SELF-LOCKING	2	
20	28P-2530V-01	DOUBLE OFF SET JOINT	1	
21	28P-2510F-02	BALL JOINT SET	1	
22	28P-2510H-02	BOOT SET(DOUBLE OFFSET JOINT)	1	
23	28P-2510G-01	BOOT SET (BALL JOINT)	1	
24	2BG-2518E-10	SHAFT	1	
25	3B4-2511H-00	BOOT BAND(DOUBLE OFFSET JOINT)	1	
26	3B4-2512G-00	BOOT BAND (SMALL)	1	
27	28P-2512G-00	BOOT BAND (SMALL)	1	

Fig. 36 REAR WHEEL 2



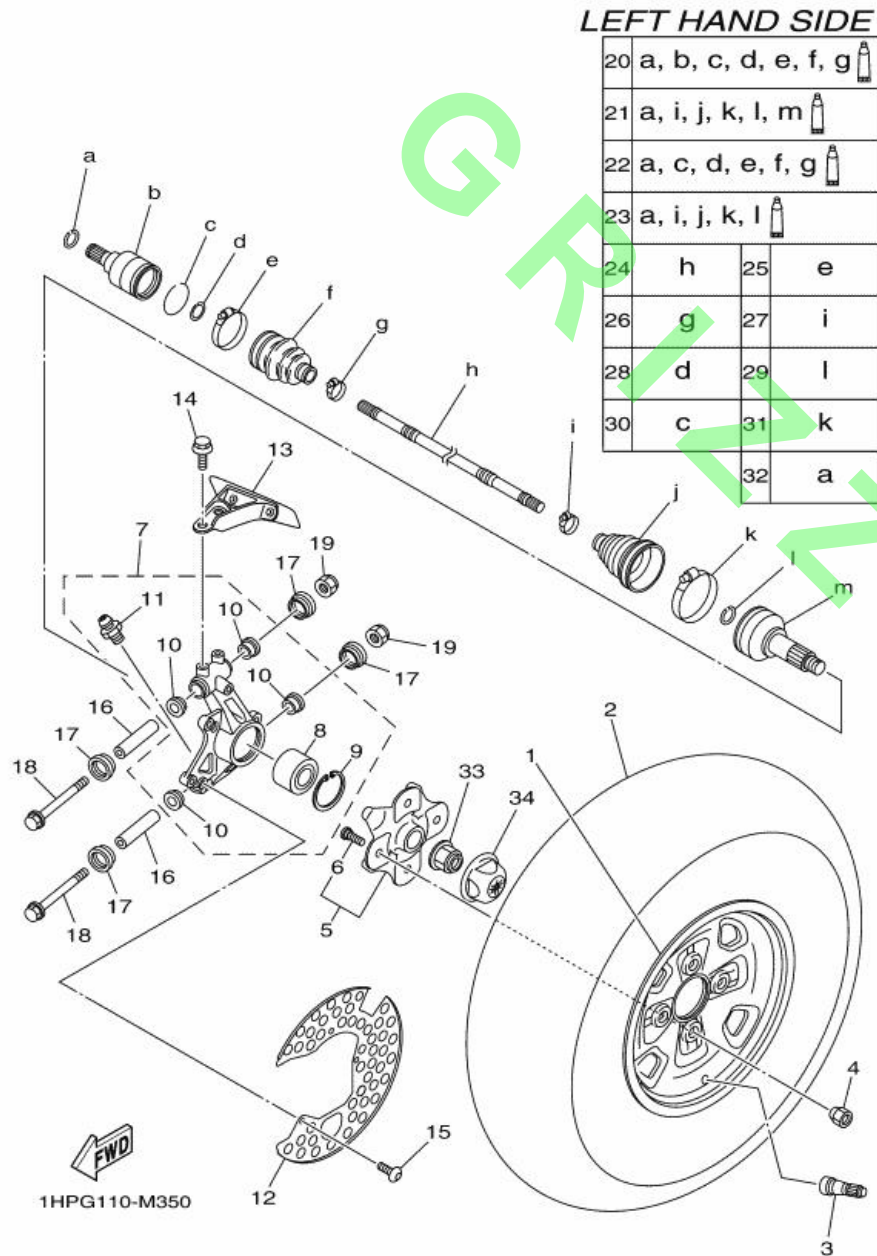
Ref. No.	Part No.	Description	Quantity	Remarks
	28 3B4-2512J-00	SNAP RING	1	
	29 3B4-2512H-00	CIRCLIP	1	
	30 3B4-25182-00	CIRCLIP	1	
	31 28P-2511H-00	BOOT BAND(DOUBLE OFFSET JOINT)	1	
	32 3B4-2536E-00	CLIP, SPRING	1	
	33 90179-20016	NUT	1	
	34 1HP-F512A-00	CAP, WHEEL	1	

Fig. 35 REAR WHEEL



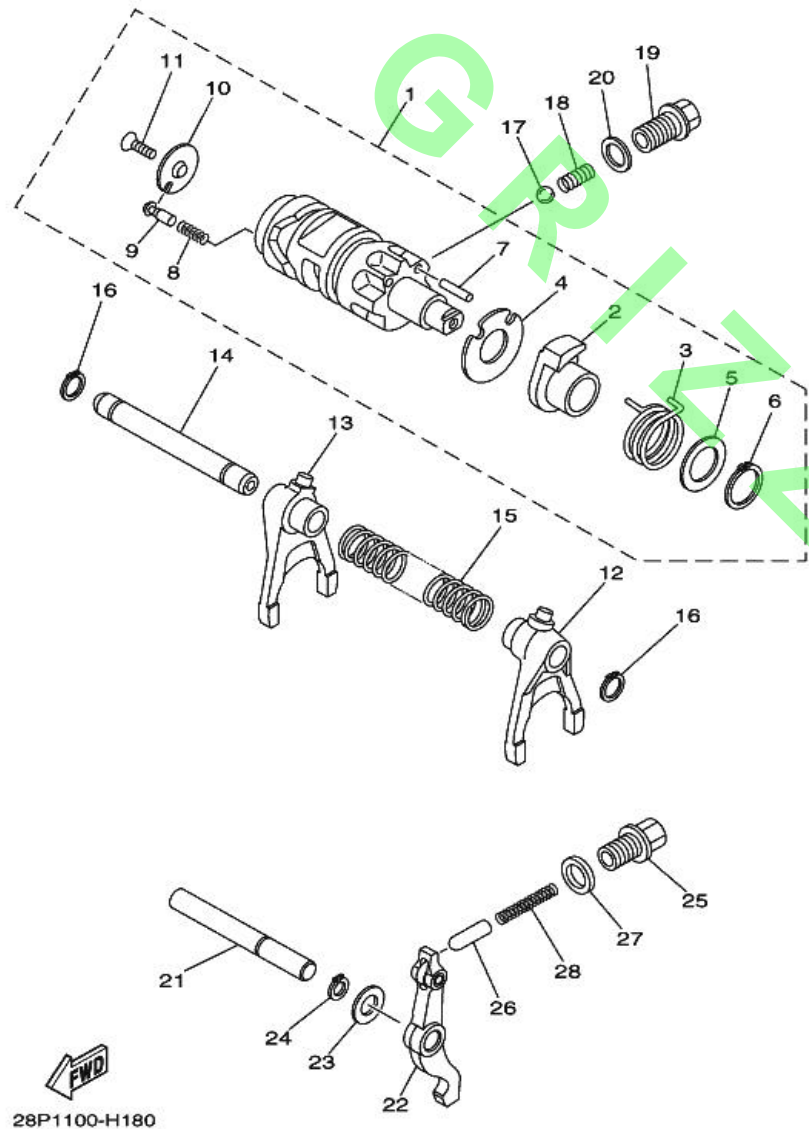
Ref. No.	Part No.	Description	Quantity	Remarks
1	2BG-F5390-00	REAR WHEEL COMP.	1	
2	94110-12816	TIRE (AT25X10-12 MU20**TL)	1	MAXXIS
3	93900-00813	VALVE, RIM (TR413)	1	MAXXIS
4	90179-10020	NUT	4	
5	3B4-25111-11	HUB, FRONT	1	
6	90114-10014	. BOLT, SERRATION	4	
7	2BG-F530F-00	REAR KNUCKLE ASSY	1	
8	93305-00602	. BEARING	1	
9	99009-55500	. CIRCLIP	1	
10	90381-17067	. BUSH, SOLID	4	
11	93700-06004	. NIPPLE, GREASE	2	
12	1HP-F514A-00	RING, WHEEL 1	1	
13	1HP-F539F-00	PLATE 1	1	
14	90109-06840	BOLT	2	
15	98902-06010	SCREW, BIND	3	
16	5KM-23448-00	SPACER	2	
17	2NL-23517-00	COVER, THRUST 1	4	
18	90105-10212	BOLT, FLANGE	2	
19	90185-10012	NUT, SELF-LOCKING	2	
20	28P-2530V-01	DOUBLE OFF SET JOINT	1	
21	28P-2510F-02	BALL JOINT SET	1	
22	28P-2510H-02	BOOT SET(DOUBLE OFFSET JOINT)	1	
23	28P-2510G-01	BOOT SET (BALL JOINT)	1	
24	2BG-2518E-10	SHAFT	1	
25	3B4-2511H-00	BOOT BAND(DOUBLE OFFSET JOINT)	1	
26	3B4-2512G-00	BOOT BAND (SMALL)	1	
27	28P-2512G-00	BOOT BAND (SMALL)	1	

Fig. 35 REAR WHEEL



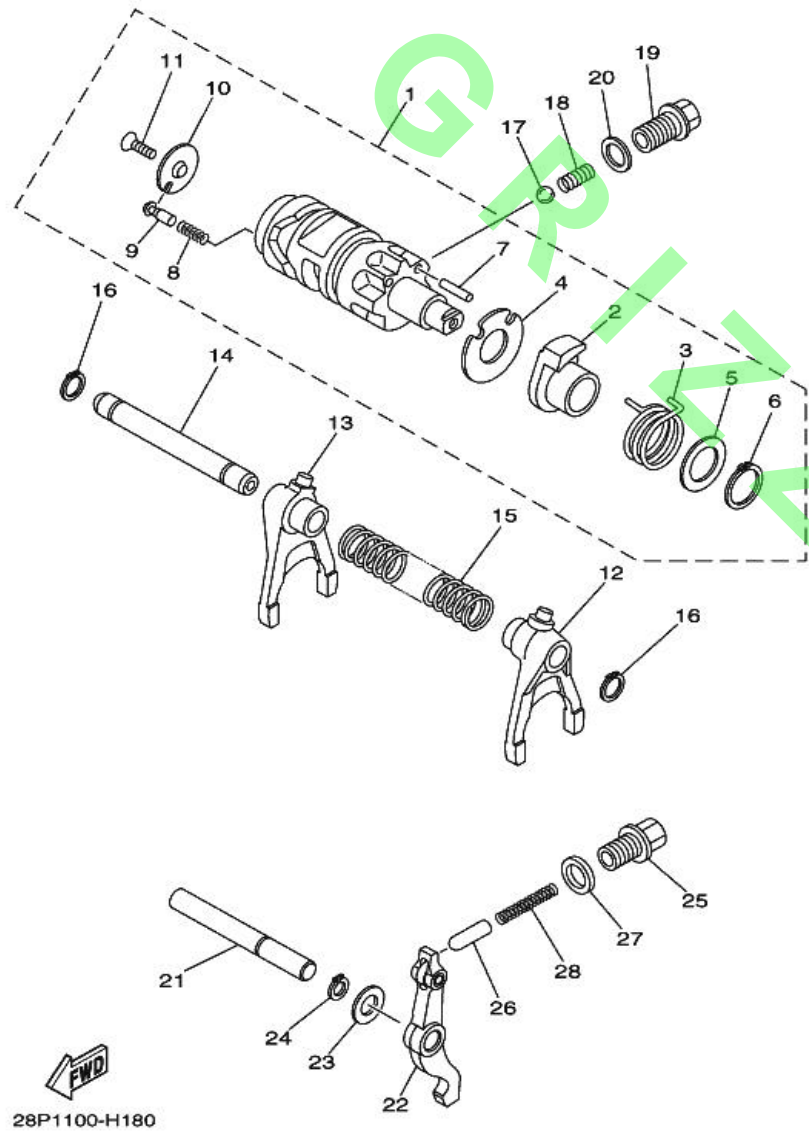
Ref. No.	Part No.	Description		Remarks
	28 3B4-2512J-00	SNAP RING	1	
	29 3B4-2512H-00	CIRCLIP	1	
	30 3B4-25182-00	CIRCLIP	1	
	31 28P-2511H-00	BOOT BAND(DOUBLE OFFSET JOINT)	1	
	32 3B4-2536E-00	CLIP, SPRING	1	
	33 90179-20016	NUT	1	
	34 1HP-F512A-00	CAP, WHEEL	1	

Fig. 18 SHIFT CAM & FORK



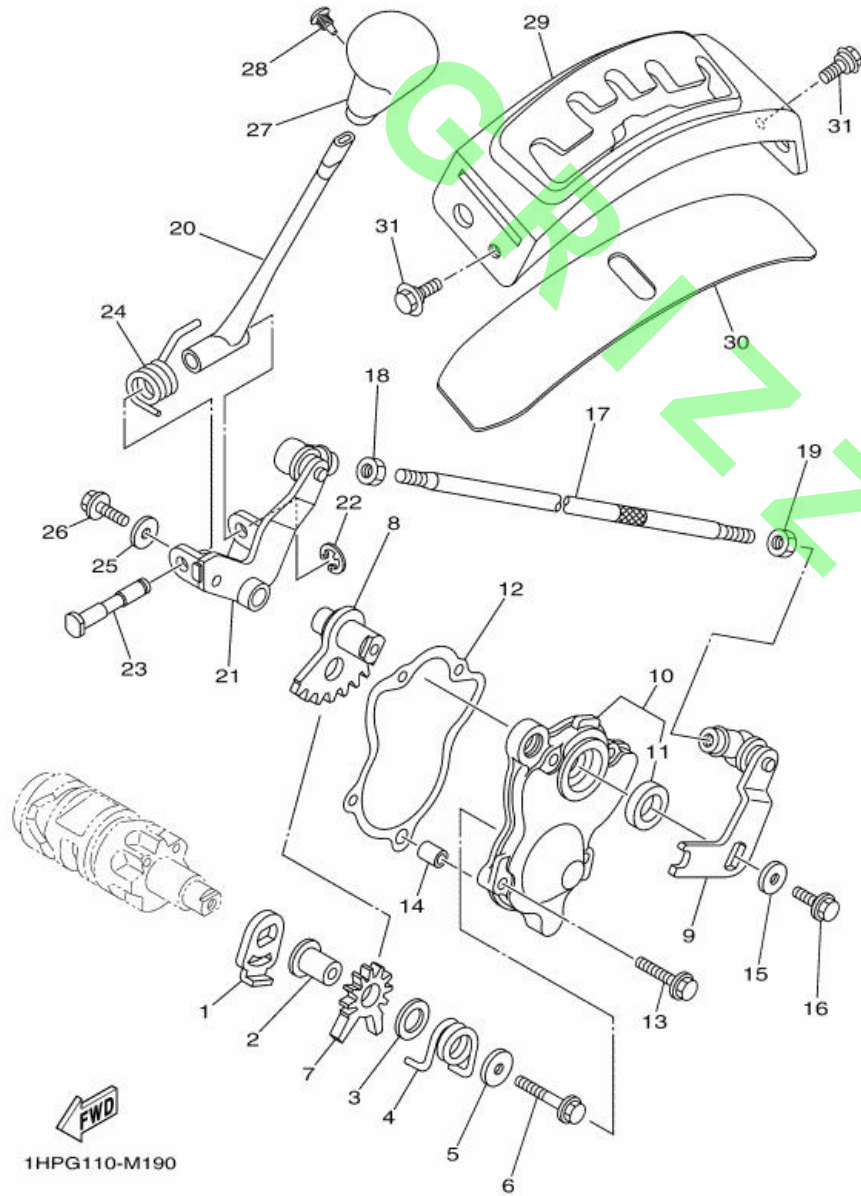
Ref. No.	Part No.	Description		Remarks
1	3B4-18540-21	SHIFT CAM ASSY	1	
2	5KM-18171-00	. CAM, LEVER	1	
3	90508-32132	. SPRING, TORSION	1	
4	3B4-18331-00	. PLATE, SHIFT CAM	1	
5	90560-20040	. SPACER	1	
6	93410-20038	. CIRCLIP	1	
7	93604-18100	. PIN, DOWEL	1	
8	90501-06022	. SPRING, COMPRESSION	1	
9	5KM-18542-00	. POINT, NEUTRAL	1	
10	4UN-18566-00	. PLATE, SIDE 2	1	
11	90149-05016	. SCREW	1	
12	3B4-18511-11	FORK, SHIFT 1	1	
13	3B4-18512-11	FORK, SHIFT 2	1	
14	3B4-18531-00	BAR, SHIFT FORK GUIDE 1	1	
15	90501-140A2	SPRING, COMPRESSION	1	
16	99009-12400	CIRCLIP	2	
17	93503-08007	BALL	1	
18	90501-10353	SPRING, COMPRESSION	1	
19	90105-14003	BOLT, FLANGE	1	
20	90430-14194	GASKET	1	
21	3B4-18318-00	SHAFT, SHIFTER	1	
22	28P-18140-01	STOPPER LEVER ASSY	1	
23	90201-127J6	WASHER, PLATE	1	
24	99009-12400	CIRCLIP	1	
25	90109-14002	BOLT	1	
26	1J7-18547-00	STOPPER, CAM	1	
27	90430-14043	GASKET	1	

Fig. 18 SHIFT CAM & FORK



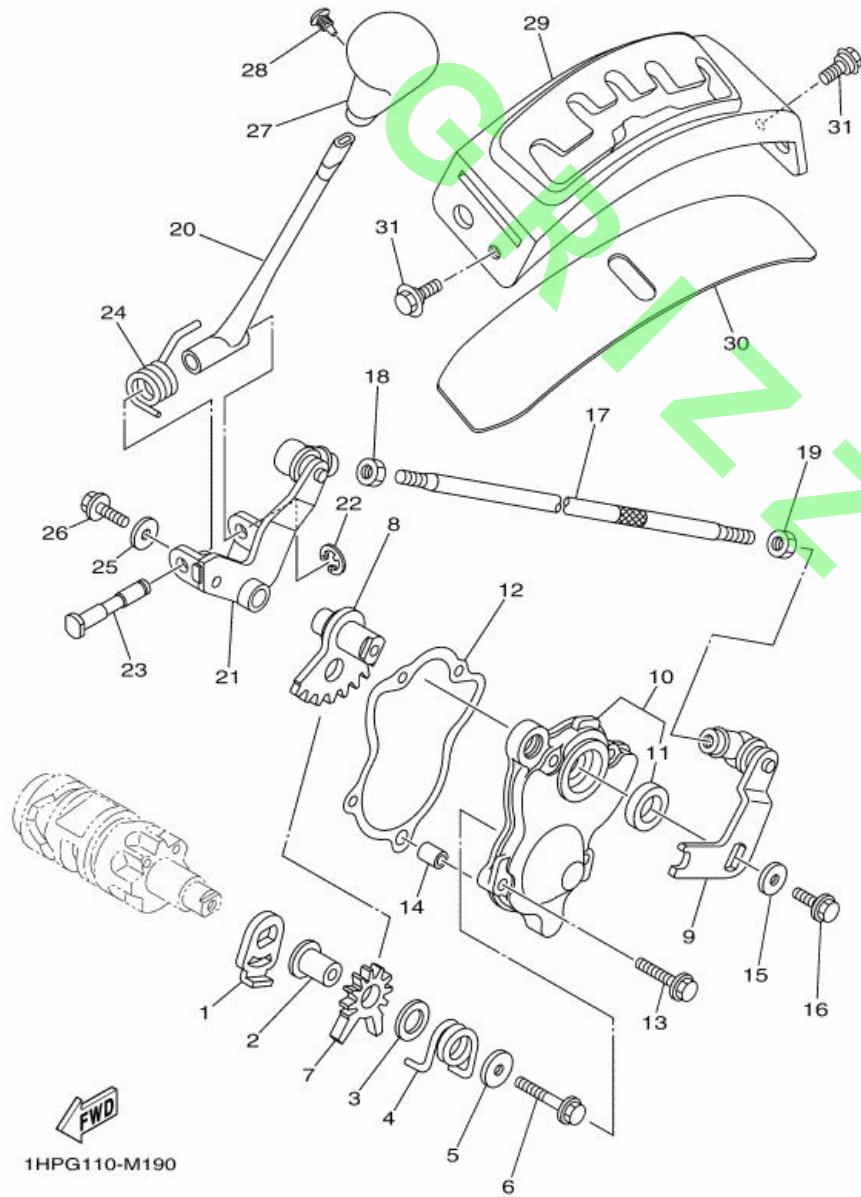
Ref. No.	Part No.	Description	Remarks
	28 90501-090A1	SPRING, COMPRESSION	1

Fig. 19 SHIFT SHAFT



Ref. No.	Part No.	Description	Remarks
1	4SH-18198-00	LEVER	1
2	90387-0613B	COLLAR	1
3	90201-132G5	WASHER, PLATE	1
4	90508-32117	SPRING, TORSION	1
5	90201-06036	WASHER, PLATE	1
6	95812-06035	BOLT, FLANGE	1
7	5KM-18191-00	LEVER	1
8	1HP-18103-00	SHIFT SHAFT COMP.	1
9	28P-18104-00	SHIFT GUIDE COMP.	1
10	1HP-18380-00	SHIFTER BRKT. ASSY	1
11	93102-17263	. OIL SEAL	1
12	3B4-18146-00	GASKET	1
13	95022-06020	BOLT, FLANGE	4
14	99530-08012	PIN, DOWEL	1
15	90201-06036	WASHER, PLATE	1
16	90105-06176	BOLT, FLANGE	1
17	28P-18115-00	ROD, SHIFT	1
18	90170-06228	NUT(COUNTER CLOCKWISE)	1
19	95312-06700	NUT	1
20	1HP-E8190-00	LEVER COMP. 1	1
21	1HP-E8169-00	ARM, SHIFT 2	1
22	99002-06600	CLIP	1
23	1HP-E8125-00	SHAFT, SHIFT	1
24	1HP-E8196-00	SPRING, RETURN	1
25	90201-06036	WASHER, PLATE	1
26	95812-06016	BOLT, FLANGE	1
27	28P-18174-00	KNOB, SHIFT LEVER	1

Fig. 19 SHIFT SHAFT



Ref. No.	Part No.	Description		Remarks
	28 90269-05055	RIVET	1	
	29 1HP-E8172-00	GUIDE, SHIFT	1	
	30 1HP-E8154-00	COVER, DUST	1	
	31 90109-06172	BOLT	2	

Fig. 23 SIDE COVER

Ref. No.	Part No.	Description		Remarks
	1 1HP-F1871-00	TANK, RECOVERY	1	
	2 1S3-21875-00	CAP	1	
	3 90445-08841	HOSE (L540)	1	
	4 90445-08840	HOSE (L420)	1	
	5 90467-08003	CLIP	3	
<hr/>				
	6 90119-06152	BOLT, WITH WASHER	2	
	7 1HP-F176E-00	PLATE	1	
	8 1HP-F171A-00	COVER, TOP	1	
	9 90480-01558	GROMMET	1	
	10 1HP-F177B-00	LID, COVER	1	
<hr/>				
	11 3B4-2177K-00	PIN, HINGE	1	
	12 3B4-21747-01	DAMPER	1	
	13 1HP-F1711-00	COVER, SIDE 1	1	UR FOR PDG
	14 3B4-2174A-00	INSULATOR, SIDE COVER	1	
	15 3B4-2173N-00	SEAL 4	1	
<hr/>				
	16 3B4-21717-00	DAMPER	1	
	17 3B4-2174Y-00	DAMPER	2	
	18 3B4-2173M-00	SEAL 3	1	
	19 90183-06053	NUT, SPRING	1	
	20 3B4-2177N-00	DAMPER, LOCATING 4	1	
<hr/>				
	21 1HP-F1721-00	COVER, SIDE 2	1	UR FOR PDG
	22 1HP-F174T-00	INSULATOR, SIDE COVER 2	1	
	23 3B4-21717-00	DAMPER	1	
	24 90183-06053	NUT, SPRING	1	
	25 3B4-2174Y-00	DAMPER	1	
<hr/>				
	26 90269-07012	RIVET	4	
	27 90269-06081	RIVET	2	

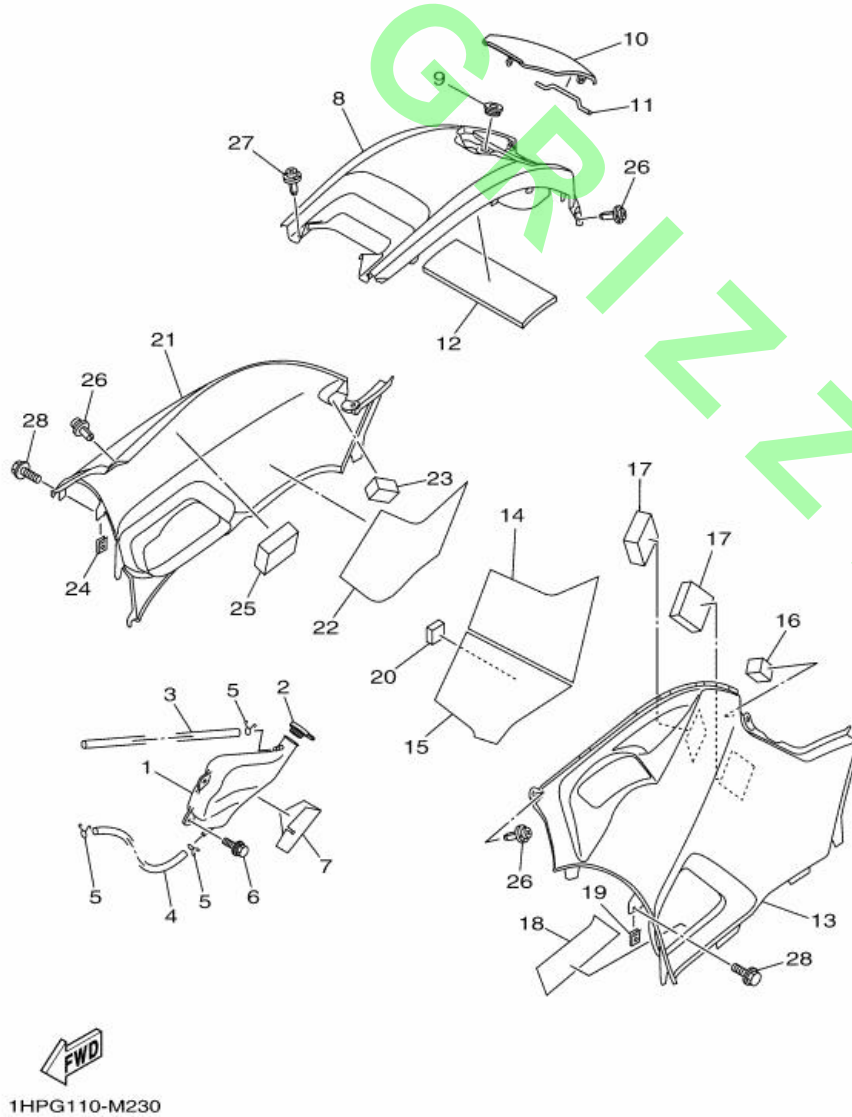
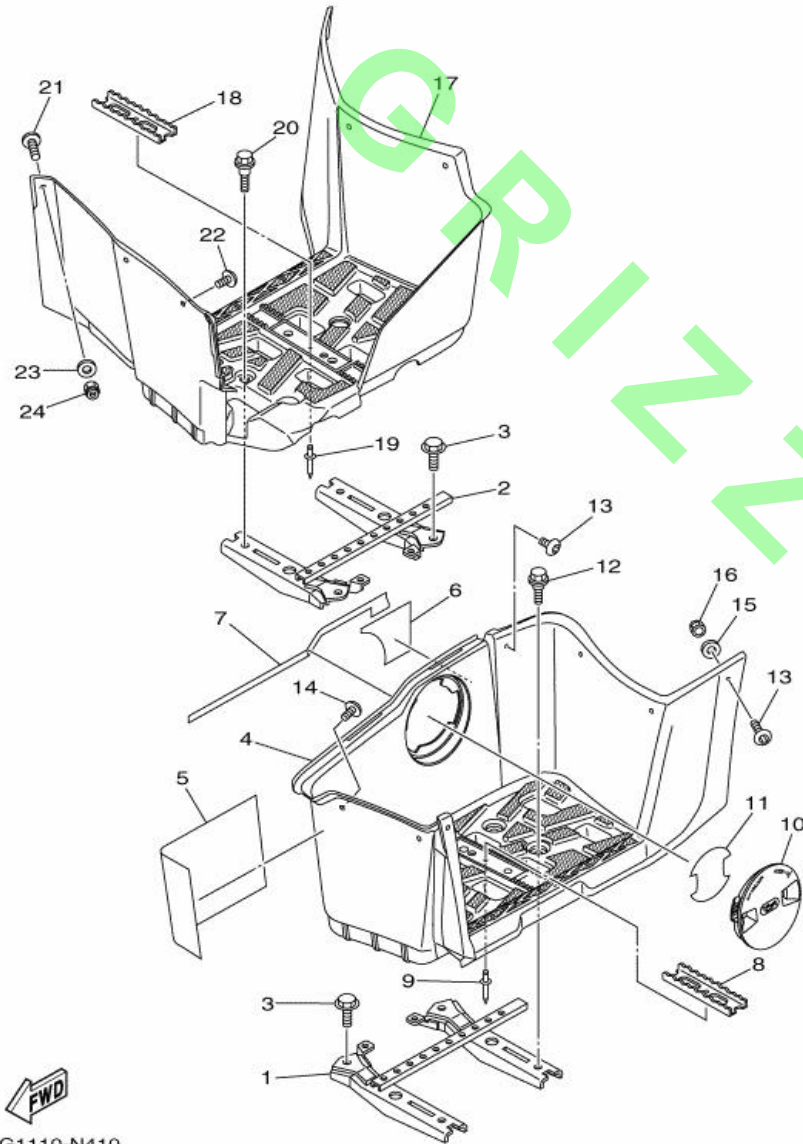


Fig. 41 STAND & FOOTREST



2BG1110-N410

Ref. No.	Part No.	Description		Remarks
1	1HP-F7452-00	BRACKET, FOOTREST 1	1	
2	1HP-F7462-00	BRACKET, FOOTREST 2	1	
3	95812-08012	BOLT, FLANGE	4	
4	1HP-F7453-00	COVER 1	1	
5	3B4-21732-00	SEAL 1	1	
6	1HP-F2875-00	SEAL 3	1	
7	2BG-F2874-00	SEAL 2	1	
8	5UH-F741A-10	ARM 1	1	
9	90267-489U9	RIVET, BLIND	1	
10	1HP-F8239-00	COVER 3	1	
11	1HP-F1735-00	SEAL 2	1	
12	90109-06172	BOLT	4	
13	90111-06814	BOLT,HEX. SOCKET BUTTON	6	
14	90111-06137	BOLT,HEX. SOCKET BUTTON	1	
15	90201-06078	WASHER, PLATE	6	
16	95702-06300	NUT, NYLON	6	
17	1HP-F7463-00	COVER 2	1	
18	5UH-F741A-10	ARM 1	1	
19	90267-489U9	RIVET, BLIND	1	
20	90109-06172	BOLT	4	
21	90111-06814	BOLT,HEX. SOCKET BUTTON	5	
22	90111-06137	BOLT,HEX. SOCKET BUTTON	1	
23	90201-06078	WASHER, PLATE	6	
24	95702-06300	NUT, NYLON	6	

Fig. 14 STARTER CLUTCH

Ref. No.	Part No.	Description	Remarks
1	1HP-15515-00	GEAR 3 (49T)	1
2	90201-286K9	WASHER, PLATE (T1.0)	1
3	3B4-15522-00	SHAFT 2	1
4	3B4-15517-01	GEAR, IDLER 2 (25T/15T)	1
5	1PE-15560-00	DAMPER ASSY	1
6	90380-10002	BUSH, SOLID	2
7	5KM-15590-00	STARTER ONE-WAY ASSY	1
8	90149-08049	SCREW	3

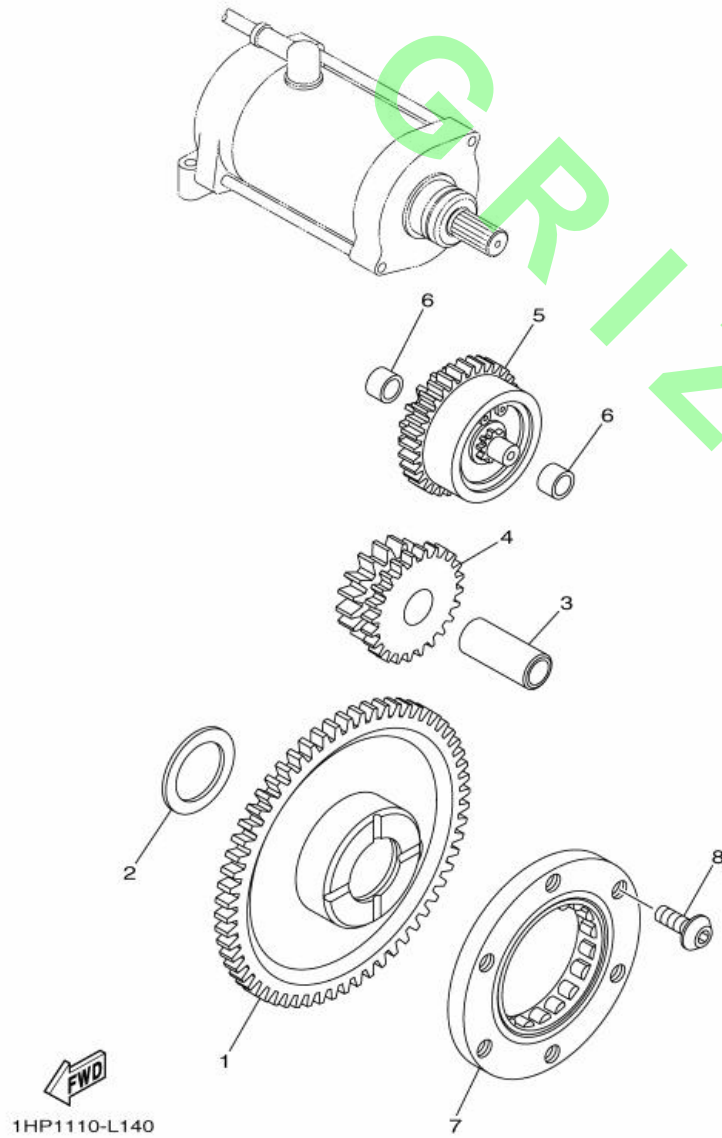
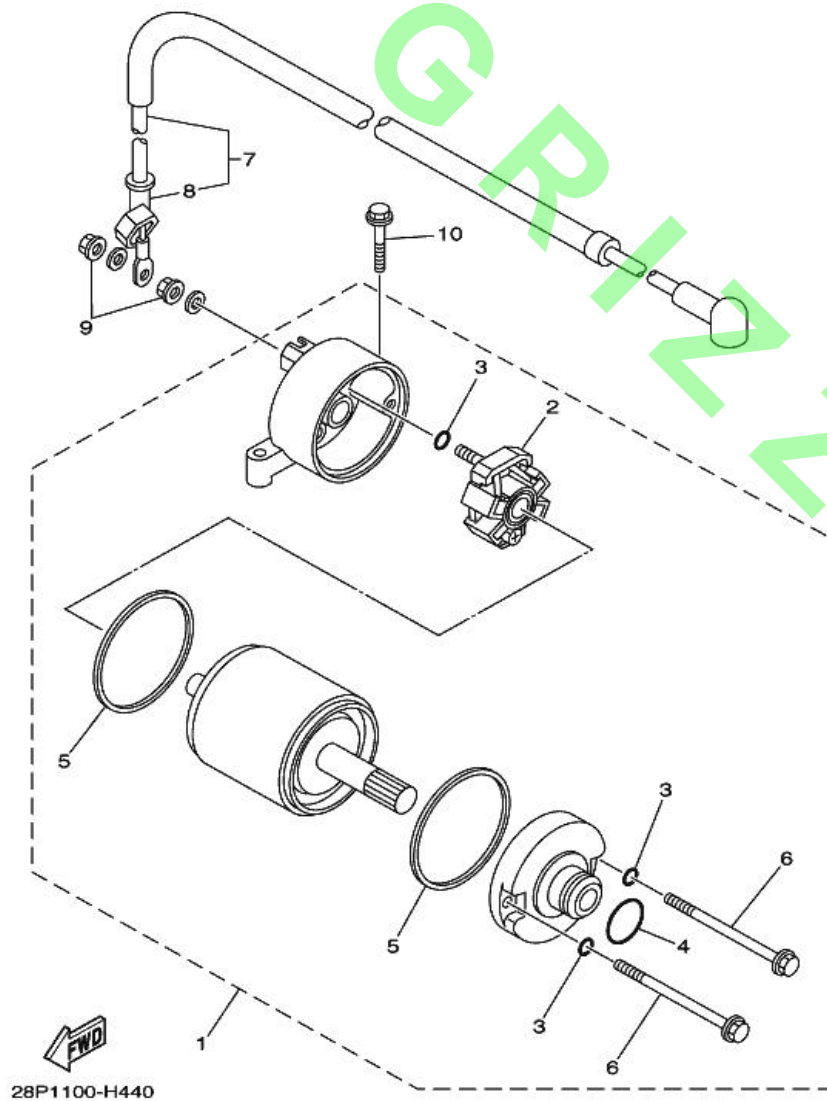
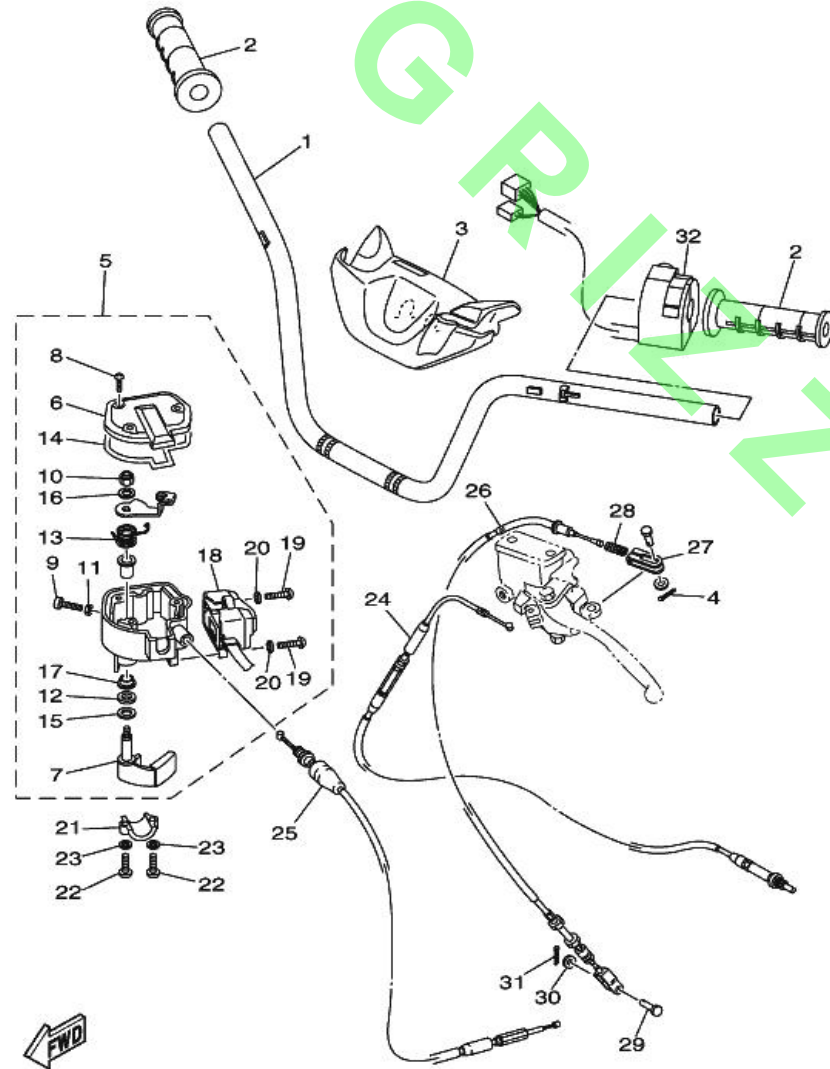


Fig. 44 STARTING MOTOR



Ref. No.	Part No.	Description		Remarks
1	28P-81890-00	MOTOR ASSY	1	
2	4B5-81840-00	. BRUSH HOLDER ASSY	1	
3	3TB-81847-00	. O-RING	3	
4	1FK-81847-00	. O-RING	1	
5	11H-81844-00	. GASKET	2	
6	28P-81826-00	. BOLT	2	
7	28P-81815-00	CORD, STARTER MOTOR	1	
8	4B5-81871-00	. CAP	1	
9	4XV-8182A-00	NUT	2	
10	95022-06030	BOLT, FLANGE	2	

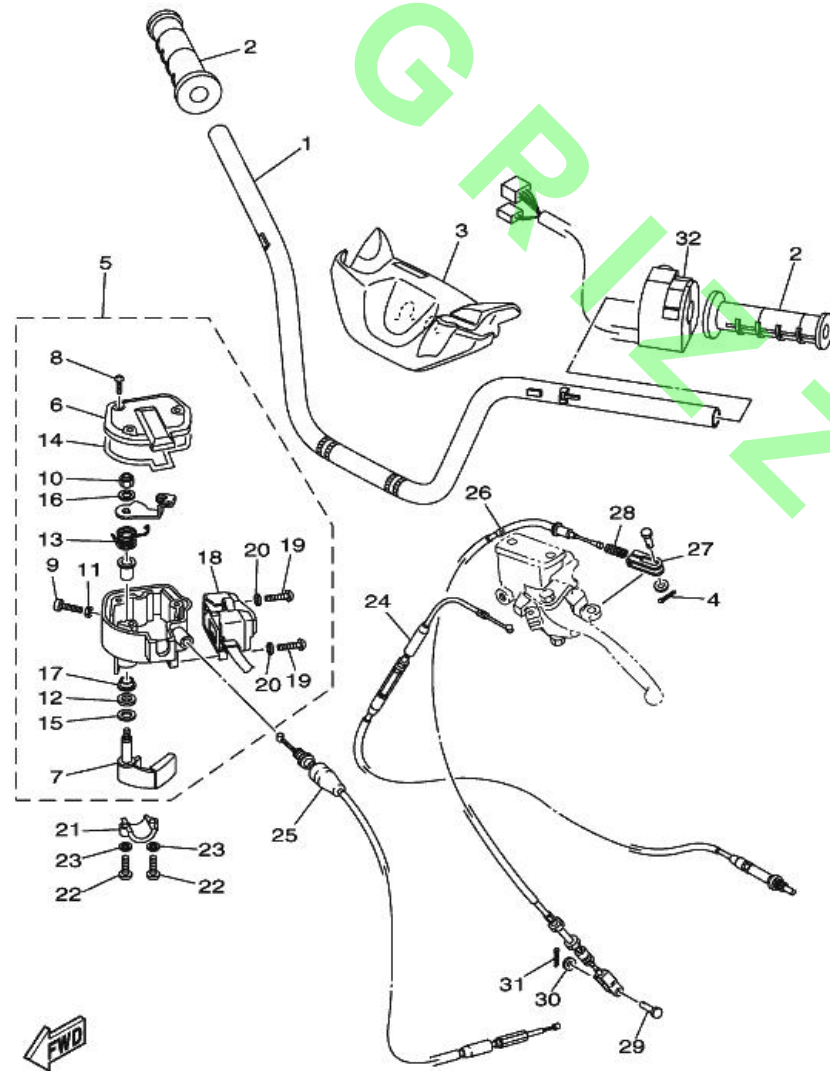
Fig. 38 STEERING HANDLE & CABLE



28P1110-H380

Ref. No.	Part No.	Description		Remarks
	1 1HP-F6111-00	HANDLEBAR	1	
	2 5FU-F6241-10	GRIP	2	
	3 1HP-F6124-00	PROTECTOR, HANDLEBAR	1	
	4 91401-16012	PIN, COTTER	1	
	5 1HP-26250-00	THROTTLE LEVER ASSY	1	
<hr/>				
	6 28P-2628F-00	. CAP, GEAR	1	
	7 28P-2625G-00	. LEVER, THROTTLE	1	
	8 90149-04278	. SCREW	3	
	9 98507-05020	. SCREW, PAN HEAD	1	
	10 95602-05100	. NUT, U	1	
<hr/>				
	11 95307-05700	. NUT	1	
	12 93104-09025	. OIL SEAL	1	
	13 1NV-26304-00	. SPRING	1	
	14 28P-2628G-00	. GASKET	1	
	15 1NV-26129-00	. WASHER	1	
<hr/>				
	16 1NV-26398-00	. WASHER	1	
	17 1NV-2625K-00	. COLLAR	1	
	18 1HP-83976-09	. SWITCH, HANDLE 1	1	
	19 98502-04016	. SCREW, PAN HEAD	2	
	20 92902-04600	. WASHER, PLATE	2	
<hr/>				
	21 1S3-82913-00	HOLDER, LEVER LOWER 1	1	
	22 98502-05020	SCREW, PAN HEAD	2	
	23 92902-05600	WASHER, PLATE	2	
	24 3B4-2637F-10	CABLE, CONTROL 2	1	
	25 3B4-26311-20	CABLE, THROTTLE 1	1	
<hr/>				
	26 3B4-26341-00	WIRE, BRAKE 1	1	
	27 3B4-26347-00	JOINT, CABLE	1	

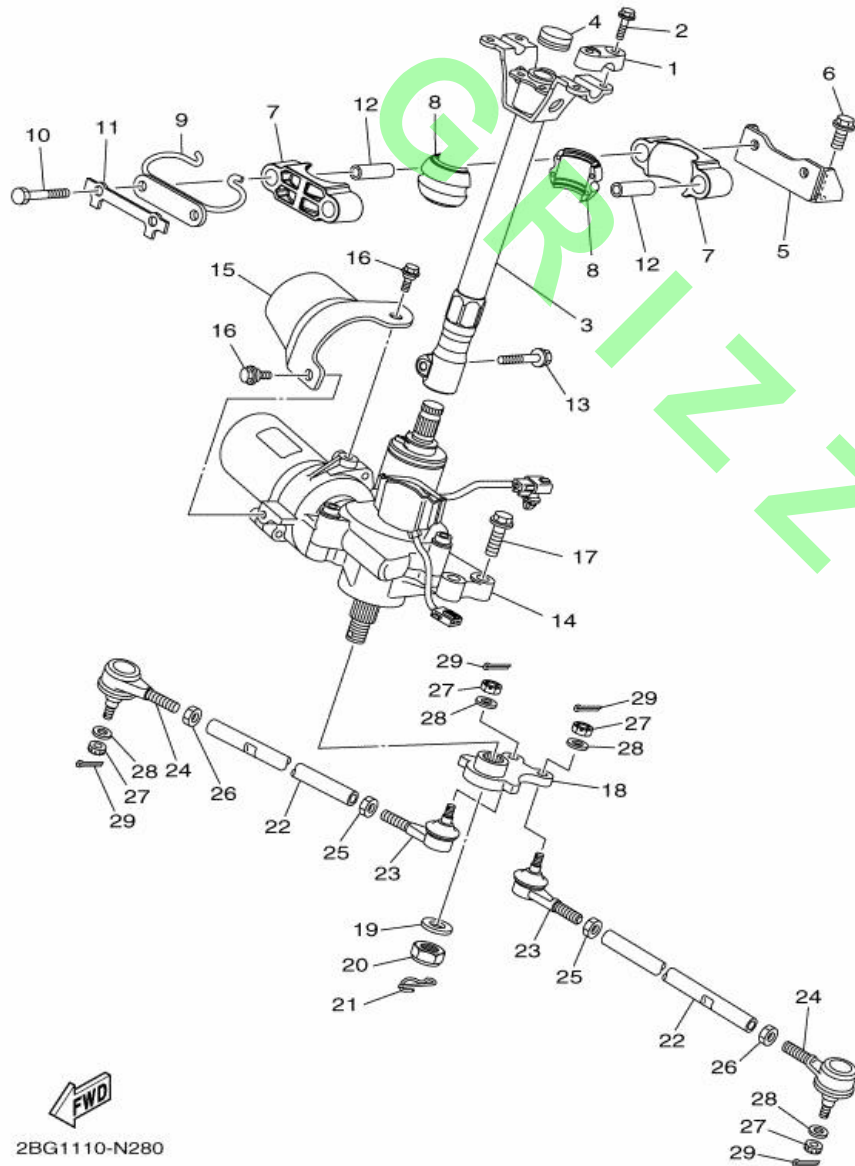
Fig. 38 STEERING HANDLE & CABLE



28P1110-H380

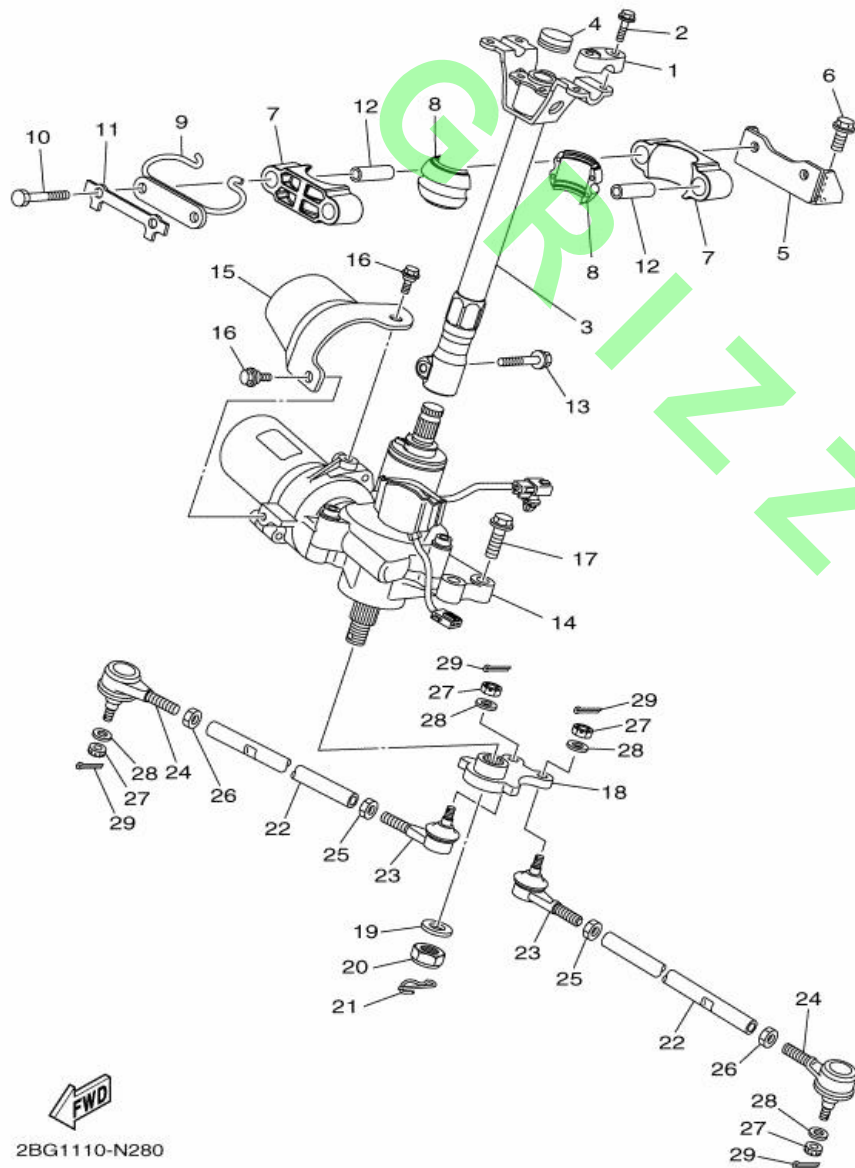
Ref. No.	Part No.	Description		Remarks
	28 90501-08665	SPRING, COMPRESSION	1	
	29 90240-06076	PIN, CLEVIS	1	
	30 92907-06200	WASHER	1	
	31 91401-20012	PIN, COTTER	1	
	32 28P-83972-00	SWITCH, HANDLE 4	1	
<hr/>				
<hr/>				
<hr/>				
<hr/>				
<hr/>				
<hr/>				
<hr/>				
<hr/>				
<hr/>				
<hr/>				

Fig. 28 STEERING



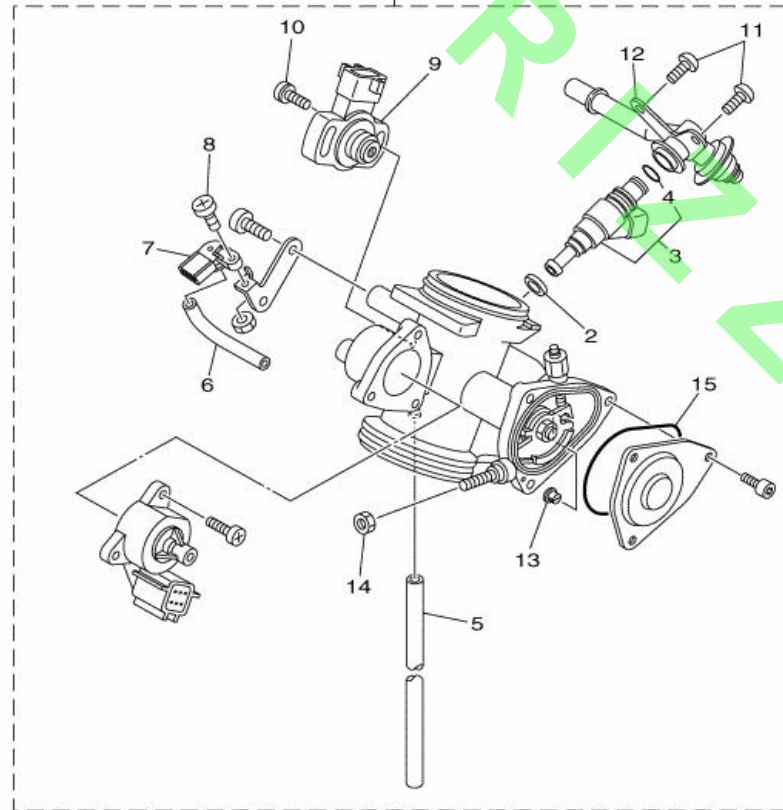
Ref. No.	Part No.	Description		Remarks
1	8K1-23814-00	HOLDER, HANDLE	2	
2	95812-08030	BOLT, FLANGE	4	
3	1HP-F3813-10	COLUMN, STEERING 2	1	
4	90336-28053	PLUG, TAPER	1	
5	1HP-F2517-10	SUPT., STRG. COLUMN	1	
6	90105-10876	BOLT, FLANGE	2	
7	1CT-F1957-00	BRACKET, STEERING 2	2	
8	1CT-F3812-00	BEARING, STEERING	2	
9	1CT-F3868-00	BRACKET, STEERING LOWER	1	
10	97012-08080	BOLT	2	
11	1CT-F3894-00	WASHER, LOCK 1	1	
12	1CT-F1545-00	COLLAR, 2	2	
13	90109-08843	BOLT	1	
14	3B4-238B0-30	POWER STRG. ACTUATOR ASSY	1	
15	1HP-F38B6-00	COVER, MOTOR	1	
16	90109-06172	BOLT	2	
17	90105-08153	BOLT, FLANGE	4	
18	2BG-F3816-00	ARM, PITMAN	1	
19	90201-16021	WASHER, PLATE	1	
20	95612-16100	NUT, U	1	
21	91402-20025	PIN, COTTER	1	
22	2BG-23831-00	ROD, TIE	2	
23	1UY-23841-01	JOINT, UNIVERSAL 1	2	
24	1UY-23845-01	JOINT, UNIVERSAL 2	2	
25	95302-10700	NUT	2	
26	90170-10010	NUT	2	(L.H. THREAD)
27	90171-10001	NUT, CASTLE	4	

Fig. 28 STEERING



Ref. No.	Part No.	Description		Remarks
	28 90209-10229	WASHER	4	
	29 91401-20020	PIN, COTTER	4	
<hr/>				
<hr/>				
<hr/>				
<hr/>				
<hr/>				
<hr/>				
<hr/>				
<hr/>				

Fig. 10 THROTTLE BODY ASSY 1

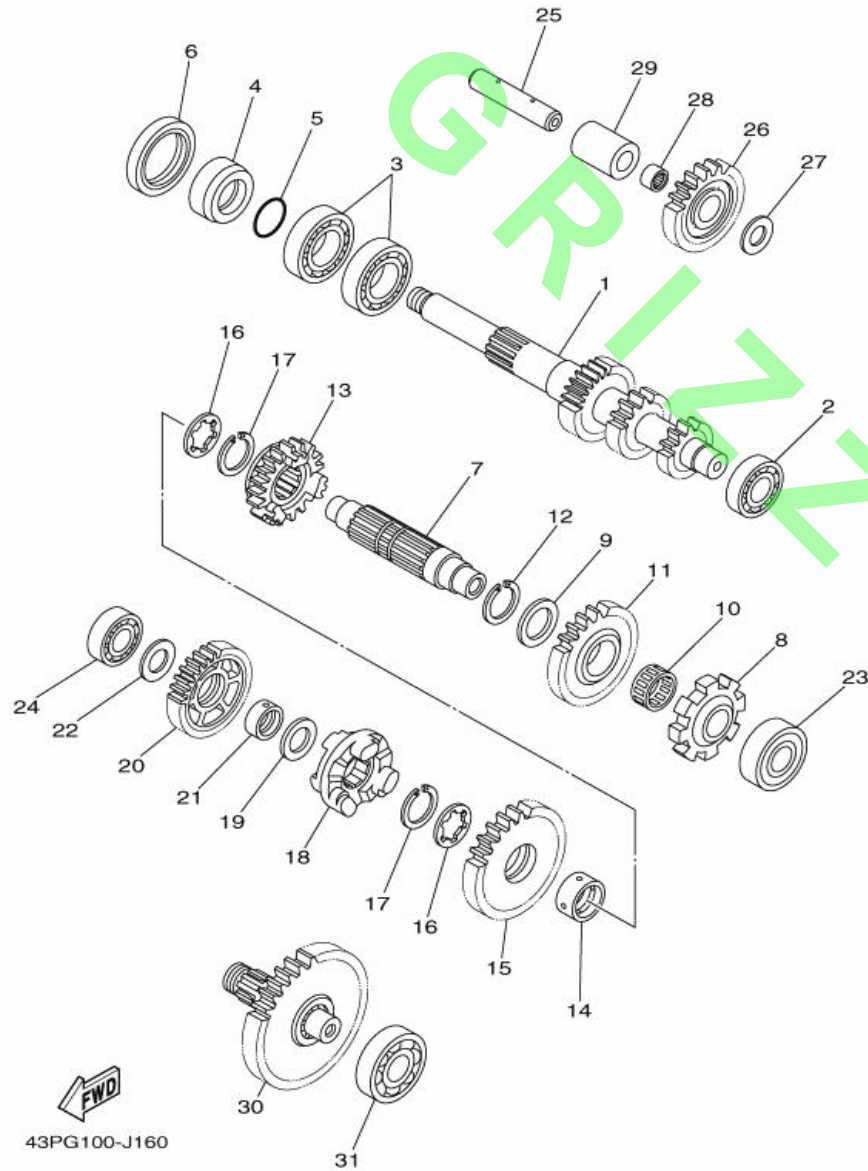


Ref. No.	Part No.	Description		Remarks
	1 2BG-13750-00	THROTTLE BODY ASSY	1	
	2 8FP-13556-00	. RUBBER, INJECTOR	1	
	3 3B4-13761-00	. INJECTOR	1	
	4 5PS-14147-00	. . O-RING	1	
	5 28P-13543-00	. HOSE, AIR	1	
	6 5JW-14348-00	. PIPE 1	1	
	7 5S7-82380-00	. SENSOR, PRESSURE	1	
	8 2C0-14216-00	. SCREW	1	
	9 3B4-85885-00	. THROTTLE SENSOR ASSY	1	
	10 8CC-14216-10	. SCREW	2	
	11 98502-06012	. SCREW, PAN HEAD	2	
	12 2BG-13160-00	. DELIVERY PIPE ASSY 1	1	
	13 1UY-14155-00	. GUIDE, CABLE	1	
	14 1S3-14161-00	. NUT, CABLE ADJUSTING	1	
	15 5LP-14147-00	. O-RING	1	



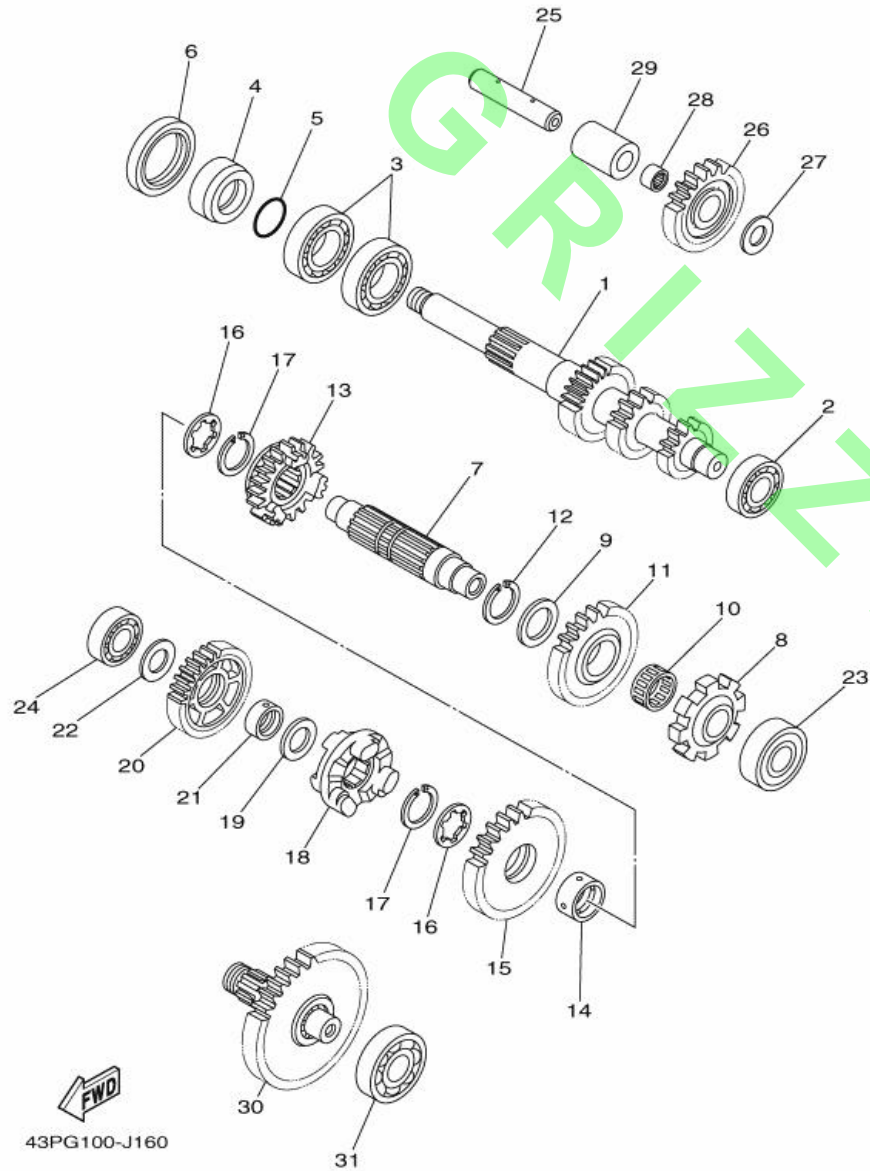
2BG1110-N100

Fig. 16 TRANSMISSION



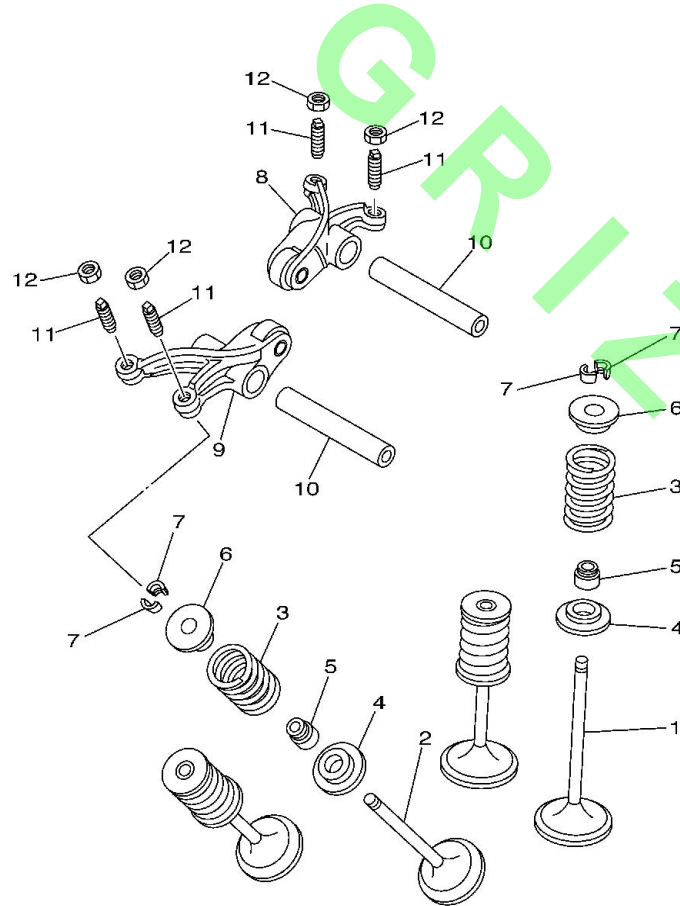
Ref. No.	Part No.	Description	Remarks
1	3B4-17681-10	SHAFT, SECONDARY	1
2	93306-00401	BEARING	1
3	93306-07801	BEARING	2
4	90387-26001	COLLAR	1
5	93210-26001	O-RING	1
6	93102-42004	OIL SEAL	1
7	3B4-17421-00	AXLE, DRIVE	1
8	3B4-17473-00	STOPPER	1
9	90201-25290	WASHER, PLATE	1
10	93310-32590	BEARING	1
11	3B4-17253-00	GEAR, REVERSE WHEEL 2 (28T)	1
12	93440-25084	CIRCLIP	1
13	3B4-17582-00	GEAR, MIDDLE DRIVE (21T)	1
14	90387-250R3	COLLAR	1
15	3B4-17233-00	GEAR, LOW WHEEL (31T)	1
16	90214-22007	WASHER, CLAW	2
17	93440-25084	CIRCLIP	2
18	3B4-17285-02	CLUTCH, DOG	1
19	90201-20028	WASHER, PLATE	1
20	3B4-17223-10	GEAR, HIGH WHEEL (31T)	1
21	90387-20021	COLLAR	1
22	90201-170U8	WASHER, PLATE	1
23	93306-20483	BEARING	1
24	93306-20309	BEARING	1
25	3B4-17432-01	AXLE, IDLE	1
26	16B-17243-00	GEAR, REVERSE WHEEL 1(23T)	1
27	90201-15029	WASHER, PLATE	1

Fig. 16 TRANSMISSION



Ref. No.	Part No.	Description		Remarks
	28	93310-31576	BEARING	1
	29	90387-15018	COLLAR	1
	30	3B4-17520-00	DRIVE PINION ASSY (41T)	1
	31	93306-30438	BEARING	1

Fig. 04 VALVE

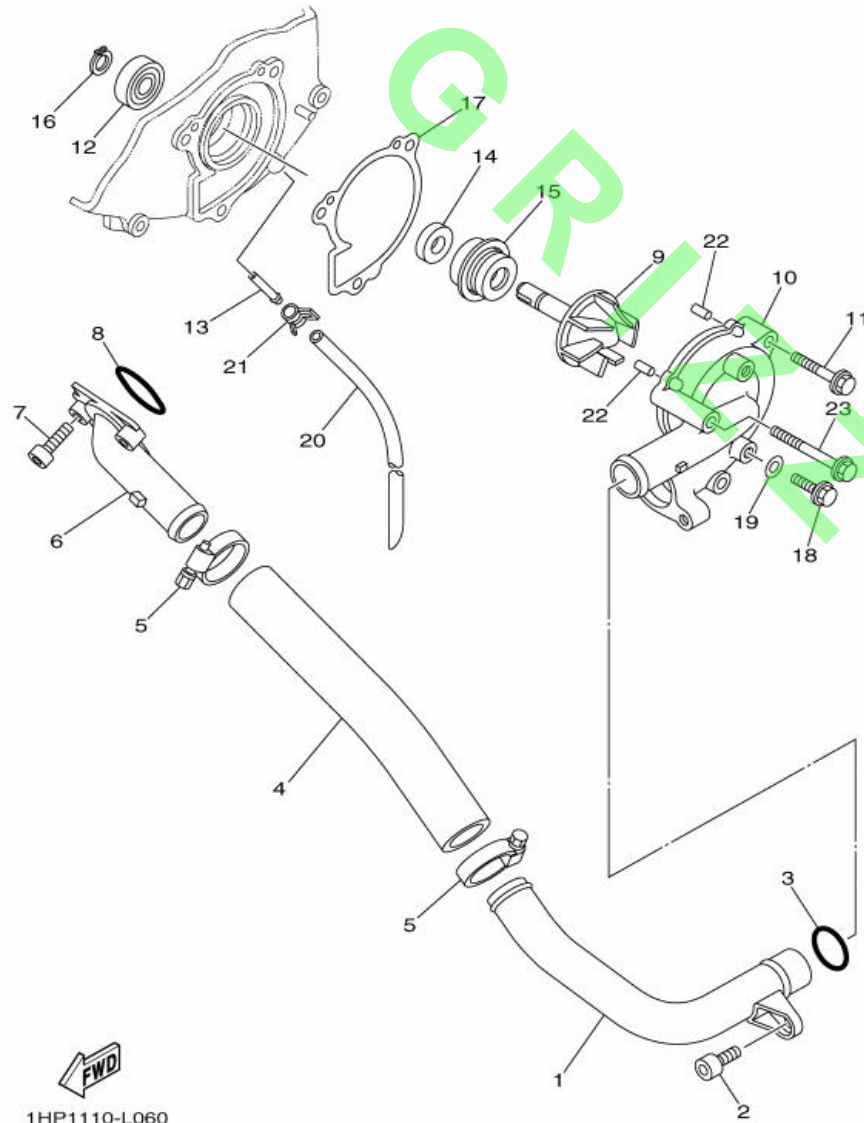


Ref. No.	Part No.	Description	Quantity	Remarks
1	5VK-12111-00	VALVE, INTAKE	2	
2	5VK-12121-00	VALVE, EXHAUST	2	
3	5VK-12113-00	SPRING, VALVE INNER	4	
4	1PE-12116-00	SEAT, VALVE SPRING	4	
5	5H0-12119-00	SEAL, VALVE STEM	4	
6	3YF-12117-01	RETAINER, VALVE SPRING	4	
7	4G0-12118-00	LOCK, VALVE SPRING RETAINER	8	
8	5VK-12151-00	ARM, VALVE ROCKER	1	
9	5VK-12161-00	ARM, VALVE ROCKER 2	1	
10	5VK-12146-00	SHAFT, ROCKER	2	
11	5XT-12159-00	SCREW, VALVE ADJUSTING	4	
12	90170-06128	NUT	4	



1S31100-E040

Fig. 06 WATER PUMP



Ref. No.	Part No.	Description		Remarks
1	3B4-12481-00	PIPE 1	1	
2	91312-06012	BOLT	1	
3	93210-21190	O-RING	1	
4	3B4-12577-01	HOSE 2	1	
5	90450-32015	HOSE CLAMP ASSY	2	
6	5KM-12469-00	JOINT 1	1	
7	91312-06020	BOLT	2	
8	93210-33786	O-RING	1	
9	3B4-12450-00	IMPELLER SHAFT ASSY	1	
10	3B4-12422-00	COVER, HOUSING	1	
11	95022-06030	BOLT, FLANGE	1	
12	93306-00006	BEARING	1	
13	5D3-1243K-00	PIPE, DRAIN	1	
14	93101-10090	OIL SEAL	1	
15	11H-12438-10	SEAL, MECHANICAL	1	
16	99009-10400	CIRCLIP	1	
17	3B4-12428-00	GASKET, HOUSING COVER 2	1	
18	95022-06010	BOLT, FLANGE	2	
19	90430-06014	GASKET	2	
20	90445-07340	HOSE (L310)	1	
21	90467-07093	CLIP	1	
22	93604-10011	PIN, DOWEL	2	
23	95022-06050	BOLT, FLANGE	1	